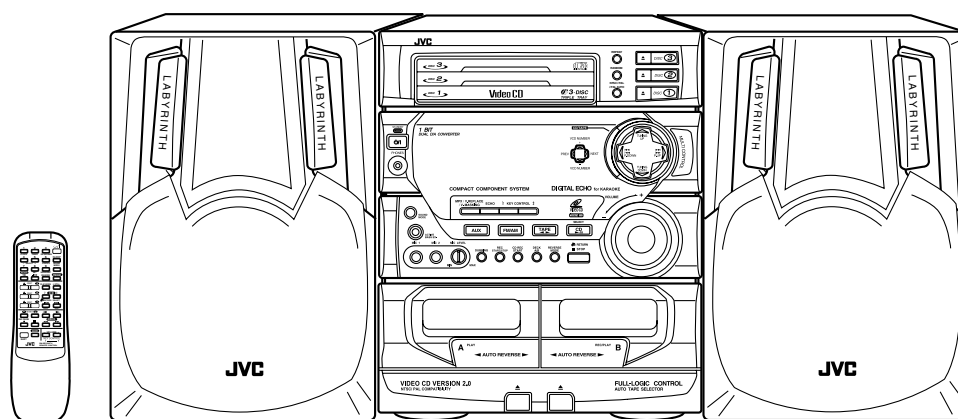


JVC

SERVICE MANUAL

COMPACT COMPONENT SYSTEM

MX-J282V



COMPACT
disc
DIGITAL VIDEO

PlayBack
Control

COMPACT
disc
DIGITAL AUDIO
GRAPHICS

COMPACT
disc
DIGITAL AUDIO

Area Suffix

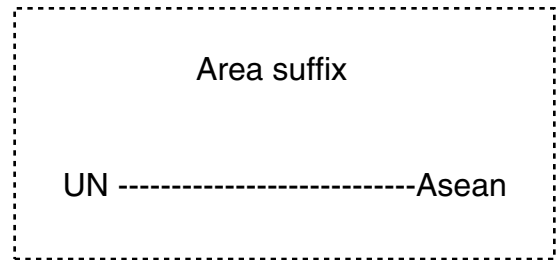
UN Asean

This model is MX-J282V UN that is added to the preceding model, the MX-V588T. Therefore the service manual for this model is consisting of Parts list only. For others, please refer to the service manual of MX-V588T (issue No.20714).

PARTS LIST

[MX-J282V]

* All printed circuit boards and its assemblies are not available as service parts.



- Contents -

Exploded view of general assembly and parts list (Block No.M1)	2- 2
CD changer mechanism assembly and parts list (Block No.M2)	2- 5
CD mechanism assembly and parts list (Block No.M3)	2- 8
Cassette mechanism assembly and parts list (Block No.M4)	2- 9
Electrical parts list (Block No.01~10).....	2-14
Packing materials and accessories parts list (Block No.M5,M6).....	2-31

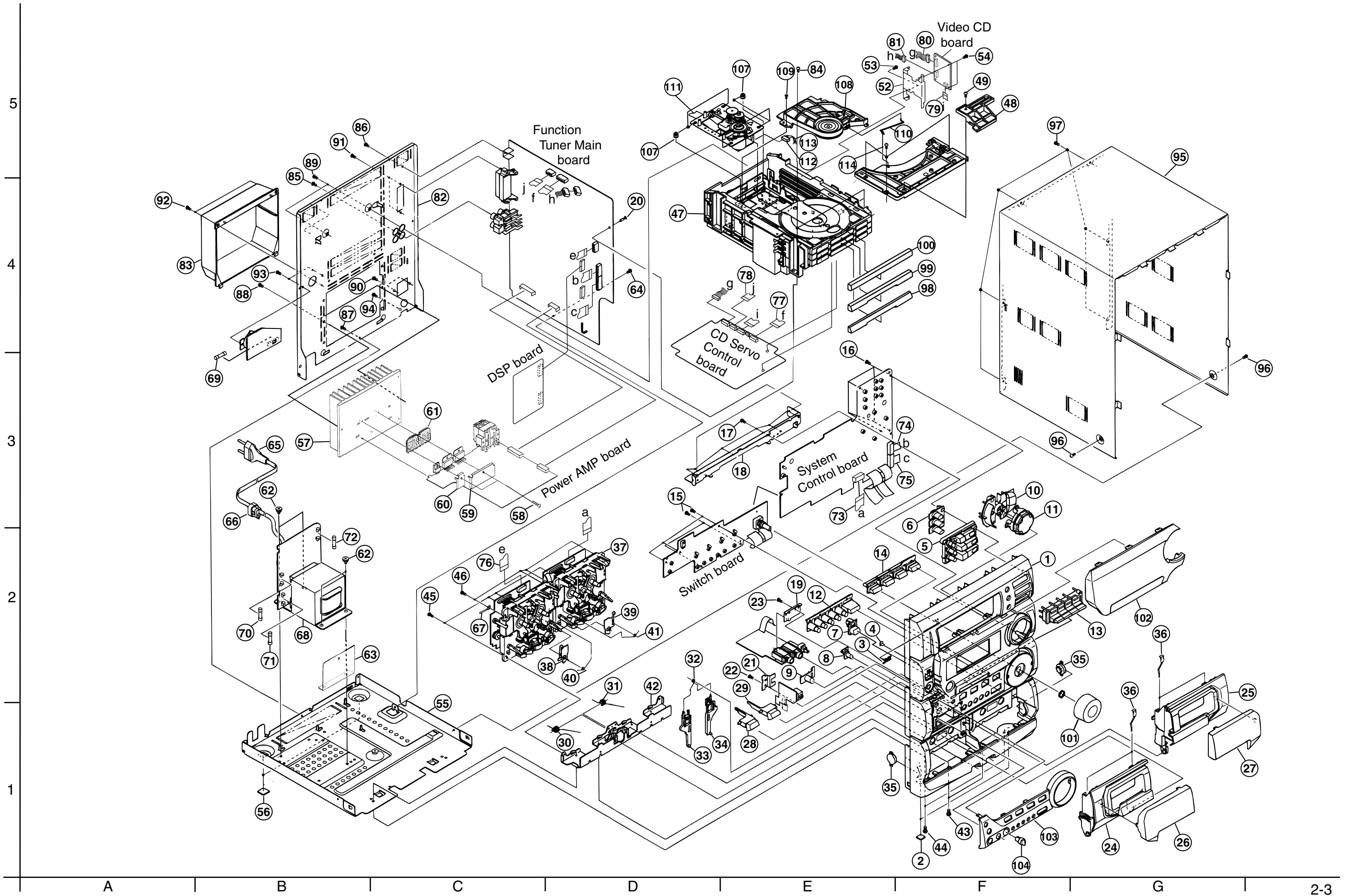
< M E M O >

Exploded view of general assembly and parts list

MX-J282V

Block No.

M	1	M	M
---	---	---	---



■ Parts list (General assembly)

Block No. M1MM

△	Item	Parts number	Parts name	Q'ty	Description	Area
	1	GV10001-012A	FRONT PANEL	1		
	2	E75896-001	FELT SPACER	2		
	3	E406971-002SM	JVC MARK	1		
	4	GV40003-001A	STBY.INDICATOR	1		
	5	GV20009-004A	CD BUTTON	1		
	6	GV30008-003A	DISC BUTTON	1	ATTACH TO CD BT	
	7	GV30010-008A	POWER BUTTON	1	ON/STANDBY MARK	
	8	GV30016-006A	PUSH BUTTON	1		
	9	GV30017-004A	PUSH BUTTON	1		
	10	GV20008-007A	SOUND BUTTON	1		
	11	GV30018-010A	SEARCH BTN.ASSY	1		
	12	GV30009-006A	CONTROL	1		
	13	GV30012-001A	RDS BUTTON	1		
	14	GV30013-001A	SOURCE BUTTON	1		
	15	QYSDFS2608Z	SCREW	5	SWITCH BOARD	
	16	QYSDFS2608Z	SCREW	4	MICOM BOARD	
	17	QYSDFS2608Z	SCREW	6	STY.BKT.+F.PANEL	
	18	GV30003-001A	STAY BRACKET	1		
	19	GV40004-001A	MIC BRACKETE	1		
	20	E310243-002	PLASTIC RIVET	1	MAIN BOARD&BKT.	
	21	GV40001-001A	H.P BRACKET	1		
	22	QYSDFS2608Z	SCREW	1	H.P BKT.+F.PANE	
	23	QYSDFS2608Z	SCREW	1	MIC BKT.+F.PANE	
	24	GV20001-008A	CASS HOLDER (L)	1		
	25	GV20002-008A	CASS HOLDER (R)	1		
	26	GV20003-002A	CASS LENS (L)	1		
	27	GV20004-002A	CASS LENS (R)	1		
	28	GV30014-008A	EJECT BUTTON(A)	1		
	29	GV30015-008A	EJECT BUTTON(B)	1		
	30	FMKW4009-001	HOLDER SPRING A	1		
	31	FMKW4010-001	HOLDER SPRING B	1		
	32	FMKW4011-001	SPRING	1	FOR EJECT LEVER	
	33	FMKS3002-003	EJECT LEVER(A)	1		
	34	FMKS3003-003	EJECT BUTTON(B)	1		
	35	VYH7779-00B	DUMPER ASS'Y	2		
	36	VKY4180-401	CASSETTE SPRING	4		
	37	-----	CASSETTE MECHA	1		
	38	FMKL4012-004	EJECT SAFETY(A)	1		
	39	FMKL4013-001	EJECT SAFETY(B)	1		
	40	FMKW4007-001	SPRING (A)	1	EJECT SAFETY A	
	41	FMKW4008-001	SPRING (B)	1	EJECT SAFETY B	
	42	FMKL2002-001	HODERT BRACKET	1		
	43	QYSBSG3010Z	T.SCREW	2	F.P.TO H.BRKT.	
	44	QYSBSG3010Z	T.SCREW	2	F.P.TO CHS.BASE	
	45	QYSBSG3010Z	T.SCREW	4	MECHA & H.BRKT.	
	46	QYSBSF3010Z	SCREW	4	MECHA & F.PANEL	
	47	-----	3CD CHANGER MEC	1		
	48	E309662-001SM	DISC STOPPER	1		

■ Parts list(General assembly)

Block No. M1MM

△	Item	Parts number	Parts name	Q'ty	Description	Area
	49	QYSBSF3008Z	SCREW	1	FOR DISC STOPPE	
	52	FMKL4016-001	BRACKET	1	FOR VIDEO BOARD	
	53	QYSBSF2608Z	T.SCREW	1	BRACKET & CHANG	
	54	E310243-002	PLASTIC RIVET	2	BRACKET & V.BOA	
	55	GV10003-001A	CHASSIS BASE	1		
	56	E75896-006	FELT SPACER	2	CHAS.BASE FOOT	
	57	GV30007-001A	HEAT SINK	1		
	58	QYSBSG3014E	T.SCREW	2		
	59	FMKL4007-001	BRACKET	1	FOR POWER IC	
	60	FMKL4015-001	BRACKET	1		
	61	FMPK4003-001T	MICA SHEET	1		
	62	QYSDSTL4008Z	SPECIAL SCREW	4		
	63	FMMA4003-001	TRANS.SHIELD	1		
	64	QYSBSGG3008E	T.SCREW	1	M.BOARD & C.BAS	
△	65	QMPK090-205-JN	POWER CORD	1		
△	66	QZW0033-001	STRAIN RELIEF	1		
△	67	VKZ4001-110S	WIRE HOLDER	1		
△	68	FMTP66U8-65A	TRANSFORMER	1	T001	
△	69	QMF51E2-R80-J1	FUSE	1	C996	
△	70	QMF51E2-1R25-J1	FUSE	1	F997	
△	71	QMF51E2-1R25-J1	FUSE	1	F998	
△	72	QMF51E2-1R6-J1	FUSE	1	F999	
	73	VWF1211-14TTB	CARD WIRE	1	FMB-SLC	
	74	VWF1213-12TTB	CARD WIRE	1	FMB-MAIN	
	75	VWF1217-12TTB	WIRE	1	FMB-MAIN	
	76	VWF1210-25TTB	CARD WIRE	1	MAIN-SLC	
	77	VWF1019-15TTA	CARD WIRE	1	MAIN-VC3	
	78	VWF1005-15TTA	FFC WIRE	1	MAIN-VC3	
	79	VWF1015-06TTAX	FFC CABLE	1	VC3 VD.BOARD	
	80	EWS26C-B413J	CARD WIRE	1	VC3 VD.BOARD	
	81	EWS266-B420J	WIRE ASSY	1	VD.BOARD FMC	
	82	GV10004-040A	REAR PANEL	1		
	83	E207356-001SM	REAR COVER	1		
	84	QYSBSG3008Z	T.SCREW	2	C3 & STAY BRKT.	
	85	QYSBSGY3008E	SPECIAL SCREW	1	AUX/REAR PANEL	
	86	QYSBSGY3008E	SPECIAL SCREW	1	E.PLATE/R.PANEL	
	87	QYSBSGY3008E	SPECIAL SCREW	1	R.PANEL/ C.BASE	
	88	QYSBSGY3008E	SPECIAL SCREW	2	H.SINK/ R.PANEL	
	89	QYSBSGY3008E	SPECIAL SCREW	2	C3 / REAR PANEL	
	90	QYSBSGY3008E	SPECIAL SCREW	2	SPK.TEM./R.PANE	
	91	QYSBSGY3008E	SPECIAL SCREW	2	ANTENA/ R.PANEL	
	92	QYSBSGY3008E	SPECIAL SCREW	2	R.COVER/R.PANEL	
	93	QYSBSGY3008E	SPECIAL SCREW	2	VOL.SEL/R.PANEL	
	94	QYSBSGY3008E	SPECIAL SCREW	1	VIDEO OUT/R.PAN	
	95	GV10002-215A(S)	METAL COVER	1		
	96	QYSDSG3006M	T.SCREW	2		
	97	QYSBSGY3008E	SPECIAL SCREW	6		
	98	E209153-007SM	CD FITTING	1	DISC 1	

■ Parts list(General assembly)

Block No. M1MM

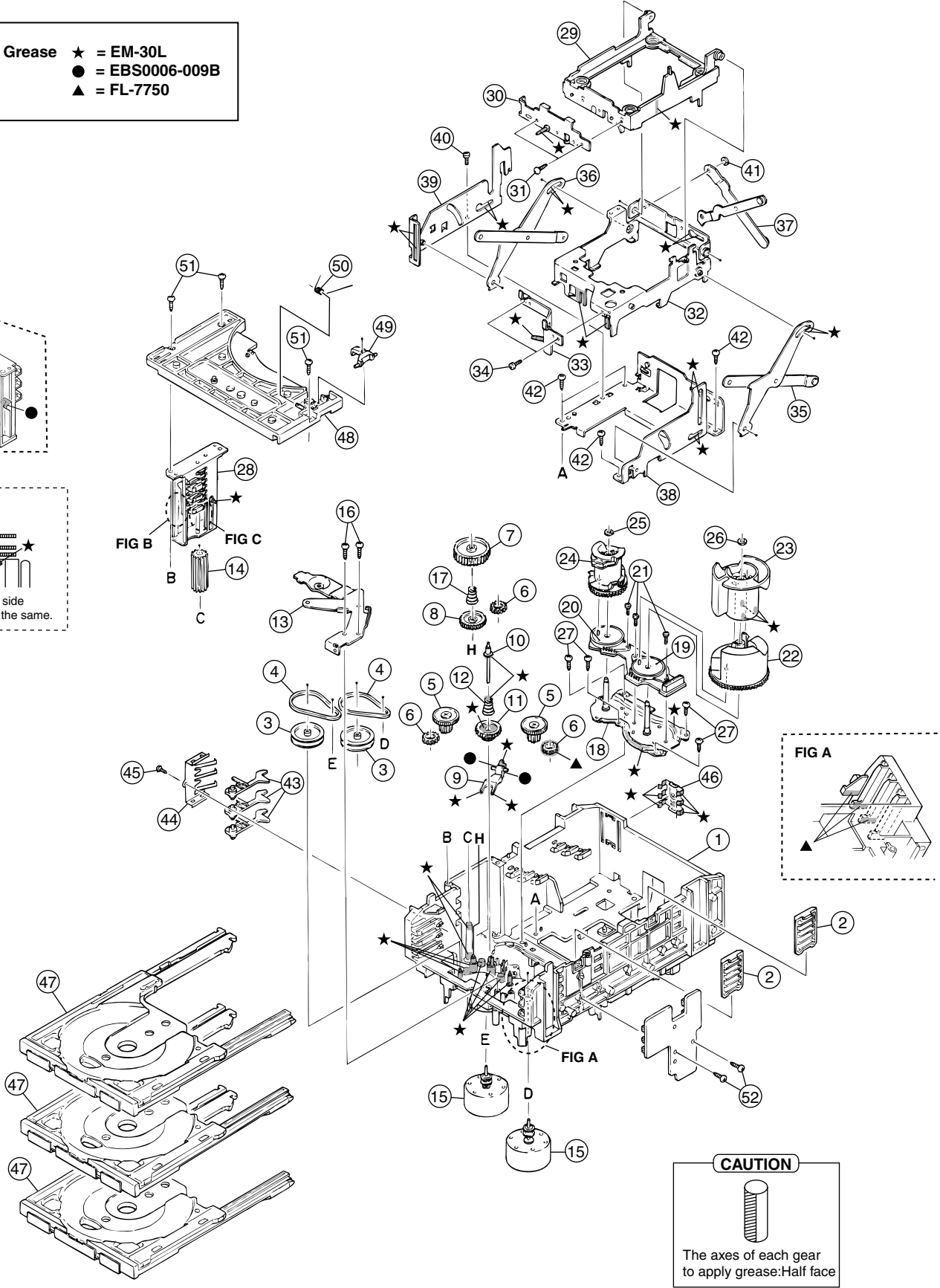
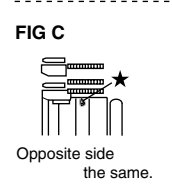
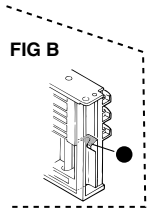
△	Item	Parts number	Parts name	Q'ty	Description	Area
	99	E209155-005SM	CD FITTING	1	DISC 2	
	100	E209157-007SM	CD FITTING	1	DISC 3	
	101	E310080-233SM	VOL.KNOB	1		
	102	GV20005-015A	WINDOW SCREEN	1		
	103	GV20007-013A	ORNAMENT	1		
	104	E408765-008SM	MIC VOL.KNOB	1		
	107	LV40761-003A	INSULATOR	4		
	108	VKS3703-00L	CLAMPER ASS'Y	1		
	109	QYSPST2606Z	SCREW	1		
	110	VKW5187-001	ROD	1		
	111	QUQ610-1509AJ	FFC WIRE	1		
	112	VDM1001-M002AV	FLAT WIRE	1		
	113	VYSA1R2-033	SPACER	1		
	114	QYSBSF2608Z	T.SCREW	4		
	115	E406507-001	LASER CAUTION	1		

CD changer mechanism assembly and parts list

C3BASE-1M

Block No. M 2 M M

Grease ★ = EM-30L
 ● = EBS0006-009B
 ▲ = FL-7750



■ Parts list (CD changer mechanism)

Block No. M2MM

△	Item	Parts number	Parts name	Q'ty	Description	Area
	1	VKS1144-004	CHASSIS	1		
	2	VKS3698-003	TRAY GUIDE	2		
	3	VKS5532-003	PULLEY GEAR	2		
	4	VKB3000-164	BELT	2		
	5	VKS5505-003	GEAR B	2		
	6	VKS5506-002	GEAR C	3		
	7	VKS5507-002	CROSS GEAR U	1		
	8	VKS5508-002	CROSS GEAR L	1		
	9	VKS5510-003	SELECT LEVER	1		
	10	VKH5769-001	S.G.SHAFT	1		
	11	VKS5511-002	SELECT GEAR	1		
	12	VKW5155-003	COMP.SPRING	1	FOR SELECT GEAR	
	13	VKM3846-003	GEAR BRACKET	1		
	14	VKS5509-002MM	CYLINDER GEAR	1		
	15	MSN5D257A-SA2	D.C.MOTOR ASS'Y	2		
	16	QYSPSPD2616Z	SCREW	2	FOR MOTOR	
	17	LV40612-001A	COMP.SPRING	1		
	18	VKM3825-00B	C.G.BASE ASS'Y	1		
	19	VKZ3172-00ASS	CAM SW. R ASS'Y	1		
	20	VKZ3173-00ASS	CAM SW. L ASS'Y	1		
	21	QYSPST2606Z	SCREW	3	FOR CAM SW.	
	22	VKS2263-002MM	CAM R1	1		
	23	VKS2264-002MM	CAM R2	1		
	24	VKS2265-002MM	CAM GEAR L	1		
	25	WDL316050MM	SLIT WASHER	1	FOR CAM GEAR L	
	26	WDL316050MM	SLIT WASHER	1		
	27	QYSBSF2608Z	T.SCREW	4	FOR C.GEAR BASE	
	28	VKS3702-00FMM	DRIVE UNIT	1		
	29	VKS2247-004	MECHA HOLDER A	1		
	30	VKL7767-00D	BRACKET ASS'Y	1		
	31	QYSBSF2606Z	SCREW	2	FOR BRACKET	
	32	VKM3860-00C	M.HOLDER B AS'Y	1		
	33	VKL7802-00D	M.HOLDER C AS'Y	1		
	34	QYSDST2604Z	SCREW	2	FOR M.HOLDER C	
	35	VKL7810-00B	LIFTER ASS'Y R	1		
	36	VKL7811-00B	LIFTER ASS'Y L	1		
	37	VKL7812-00B	LIFTER ASS'Y H	1		
	38	VKL2732-003	LIFTER BASE	1		
	39	VKM3857-002	LIFTER BRACKET	1		
	40	QYSDST2604Z	SCREW	1		
	41	WDL266035-2	SLIT WASHER	1		
	42	QYSBSF2608Z	T.SCREW	4		
	43	VKS5514-002MM	LOCK LEVER	3		
	44	VKY3133-002MM	RETURN SPRING	1		
	45	QYSBSF2608Z	T.SCREW	1	FOR RETURN SP.	
	46	VKY3134-003MM	CLICK SPRING	1		
	47	VKS2252-00L	TRAY ASS'Y	3		
	48	VKS2250-004	TOP BRACKET	1		

■ Parts list (CD changer mechanism)

Block No. M2MM

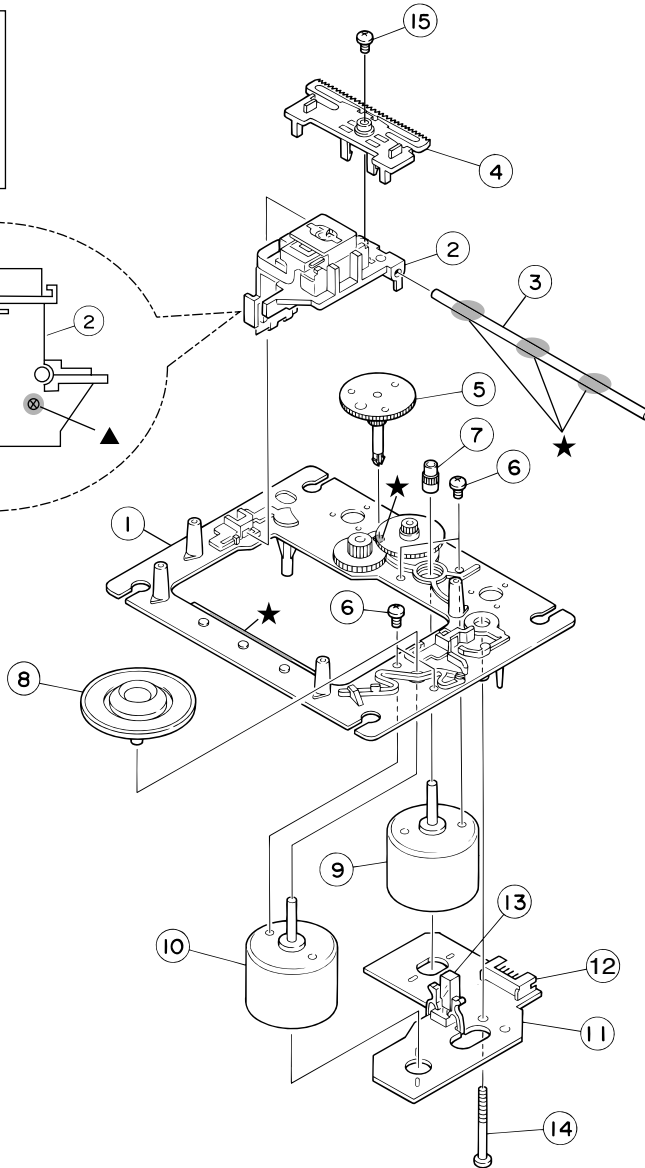
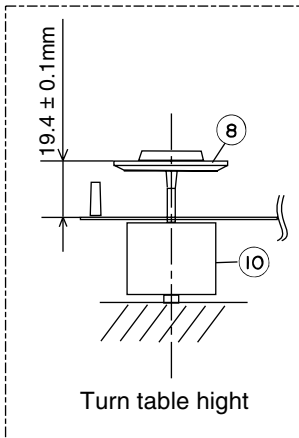
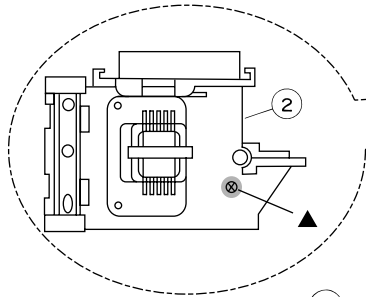
△	Item	Parts number	Parts name	Q'ty	Description	Area
	49	VKS5515-002	S.TRAY STOPPER	1		
	50	VKW5156-004	TORSION SPRING	1		
	51	QYSBSF2608Z	T.SCREW	3		
	52	QYSBSF2608Z	T.SCREW	2		

CD mechanism assembly and parts list

Block No. M 3 M M

Grease & Bond

★ = EBS0006-013B
 ▲ = 1401B



EXL-M7TMB

Parts list (CD mechanism)

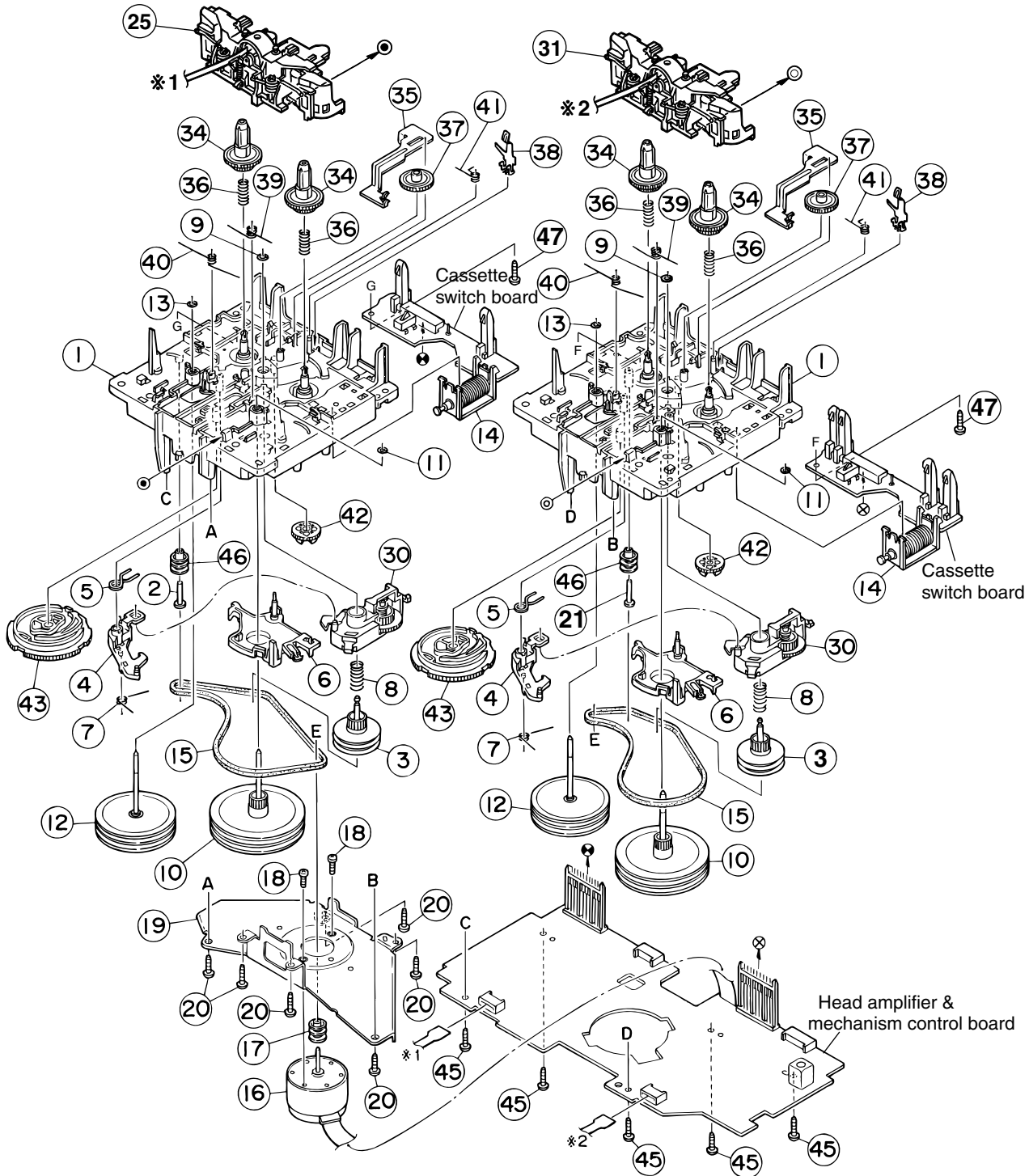
Block No. M3MM

▲	Item	Parts number	Parts name	Q'ty	Description	Area
	1	E102731-221SM	CD MECHA BASE A	1		
	2	OPTIMA-7B	CD PICK	1		
	3	E406777-002SM	CD SHAFT	1		
	4	LV31002-001A	CD RACK	1		
	5	E307745-441SM	CD GEAR 3	1		
	6	QYSDSP2003N	SCREW	4		
	7	E406750-442SM	PINION	1		
	8	EPB309173PKA	T.T PACKING	1		
	9	E406784-001	FEED MOTOR	1		
	10	QAR0130-001	SP MOTOR	1		
	11	EMW10190-441	CIR BOARD	1		
	12	QGA2001F1-06	6P PLUG ASSY	1		
	13	QSW0506-001	LEAF SW	1		
	14	E75832-221SS	SPECIAL SCREW	1		
	15	QYSDSF2606Z	SCREW	1		

Cassette mechanism assembly and parts list

Block No. M 4 M M

SLC-W6M



Parts list (Cassette mechanism)
Block No. M4MM

△	Item	Parts number	Parts name	Q'ty	Description	Area
	1	VKS1165-00K	CHASSIS B.ASS'Y	2		
	2	LV42026-001A	SHAFT	1		
	3	VKS5603-00G	MAIN PULLEY ASY	2		
	4	VKS3785-001MM	FR ARM	2		
	5	VKW5284-002	SWING SPRING	2		
	6	VKS2278-003	TRIGGER ARM	2		
	7	VKW5301-001	FR SPRING	2		
	8	VKW5266-001	ELEVATOR SPRING	2		
	9	WDL214025	WASHER	2		
	10	VKF3205-00B	F.WHEEL ASSY(R)	2		
	11	WDL183425	SLIT WASHER	2		
	12	VKF3207-00B	F.WHEEL ASSY(L)	2		
	13	WDL173525-6	SLIT WASHER	2		
	14	VKZ3174-00A	DC SOLENOID	2		
	15	VKB3000-182	CAPSTAN BELT(B)	2		
	16	MSI-5U2LWA	D.C.MOTOR ASS'Y	1		
	17	VKR4761-001	MOTOR PULLEY	1		
	18	QYSPSP2604Z	SCREW	2		
	19	VKM3907-001	JOINT BRACKET	1		
	20	QYSBSF2608Z	T.SCREW	6		
	21	VKH5786-003	SHAFT	1		
	25	SLC-P1SVM	HEAD MOUNT ASSY	1		
	30	VKS3786-00G	CLUTCH ASS'Y	2		
	31	SLC-RP1SVM	HEAD MOUNT ASSY	1		
	34	VKS2274-002	REEL GEAR	4		
	35	VKM3906-003	PLAY SW LEVER	2		
	36	VKW5286-002	B.T. SPRING	4		
	37	VKS5559-001	PLAY IDLE GEAR	2		
	38	VKY3149-002	CASSETTE SP.	2		
	39	VKW5279-001	HEAD BASE SP(R)	2		
	40	VKW5280-001	HEAD BASE SP(L)	2		
	41	VKW5296-001	EARTH SPRING	2		
	42	VKS5597-00B	BLIND	2		
	43	VKS1166-003	CONTROL CAM	2		
	45	QYSBSF2608Z	T.SCREW	5	FOR P.W.B.	
	46	VKR4749-003	IDLE PULLEY	2		
	47	QYSBSF2005Z	T.SCREW	2		
	1	VKS1165-00K	CHASSIS B.ASS'Y	2		
	2	LV42026-001A	SHAFT	1		
	3	VKS5603-00G	MAIN PULLEY ASY	2		
	4	VKS3785-001MM	FR ARM	2		
	5	VKW5284-002	SWING SPRING	2		
	6	VKS2278-003	TRIGGER ARM	2		
	7	VKW5301-001	FR SPRING	2		
	8	VKW5266-001	ELEVATOR SPRING	2		
	9	WDL214025	WASHER	2		
	10	VKF3205-00B	F.WHEEL ASSY(R)	2		
	11	WDL183425	SLIT WASHER	2		

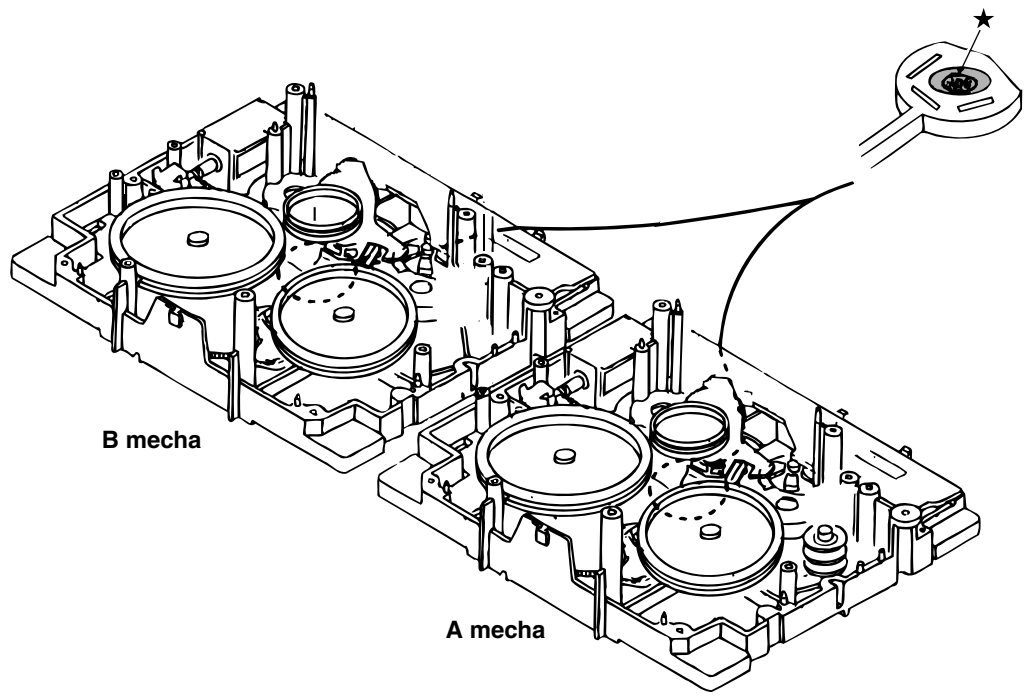
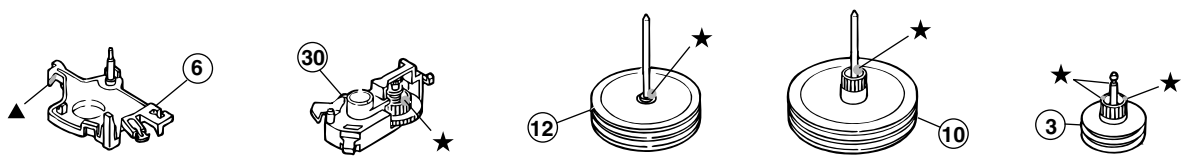
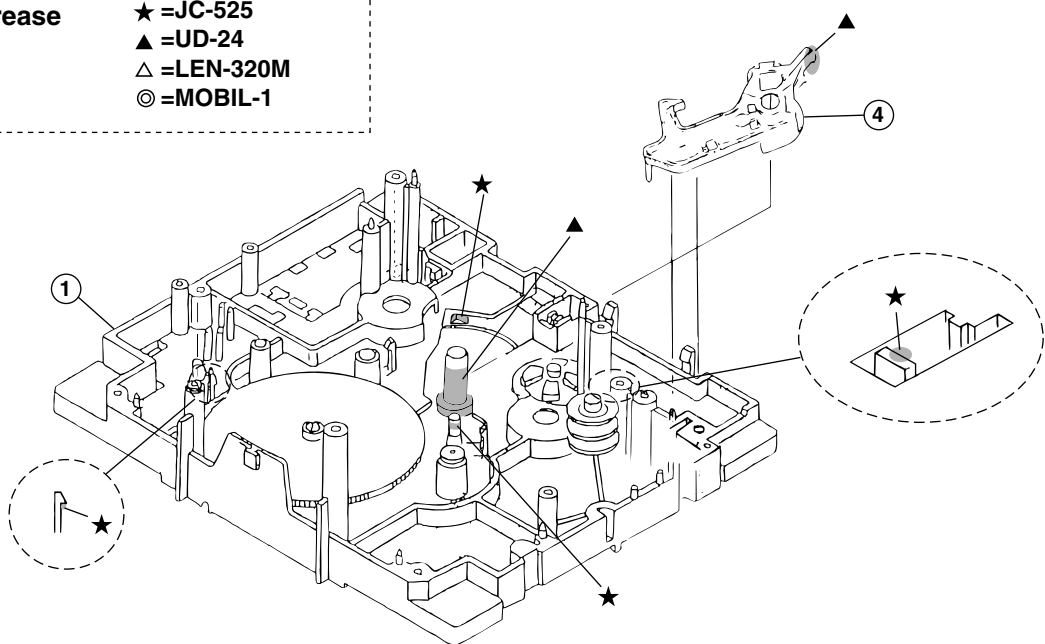
■ Parts list (Cassette mechanism)

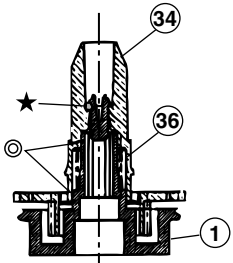
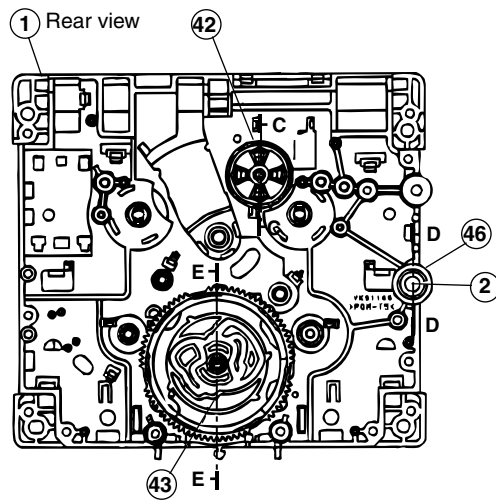
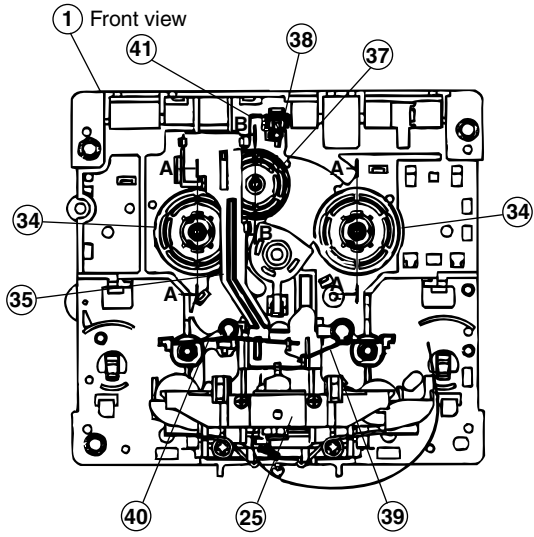
Block No. M4M

△	Item	Parts number	Parts name	Q'ty	Description	Area
	12	VKF3207-00B	F.WHEEL ASSY(L)	2		
	13	WDL173525-6	SLIT WASHER	2		
	14	VKZ3174-00A	DC SOLENOID	2		
	15	VKB3000-182	CAPSTAN BELT(B)	2		
	16	MSI-5U2LWA	D.C.MOTOR ASS'Y	1		
	17	VKR4761-001	MOTOR PULLEY	1		
	18	QYSPSP2604Z	SCREW	2		
	19	VKM3907-001	JOINT BRACKET	1		
	20	QYSBSF2608Z	T.SCREW	6		
	21	VKH5786-003	SHAFT	1		
	25	SLC-P1SVM	HEAD MOUNT ASSY	1		
	30	VKS3786-00G	CLUTCH ASS'Y	2		
	31	SLC-RP1SVM	HEAD MOUNT ASSY	1		
	34	VKS2274-002	REEL GEAR	4		
	35	VKM3906-003	PLAY SW LEVER	2		
	36	VKW5286-002	B.T. SPRING	4		
	37	VKS5559-001	PLAY IDLE GEAR	2		
	38	VKY3149-002	CASSETTE SP.	2		
	39	VKW5279-001	HEAD BASE SP(R)	2		
	40	VKW5280-001	HEAD BASE SP(L)	2		
	41	VKW5296-001	EARTH SPRING	2		
	42	VKS5597-00B	BLIND	2		
	43	VKS1166-003	CONTROL CAM	2		
	45	QYSBSF2608Z	T.SCREW	5	FOR P.W.B.	
	46	VKR4749-003	IDLE PULLEY	2		
	47	QYSBSF2005Z	T.SCREW	2		

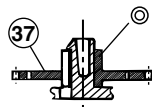
< Grease point >

Grease
 ★ =JC-525
 ▲ =UD-24
 △ =LEN-320M
 ◎ =MOBIL-1





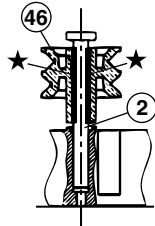
A - A (2/1, 2 places)



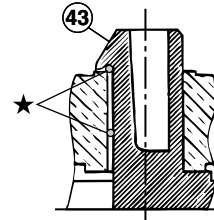
B - B (2/1)



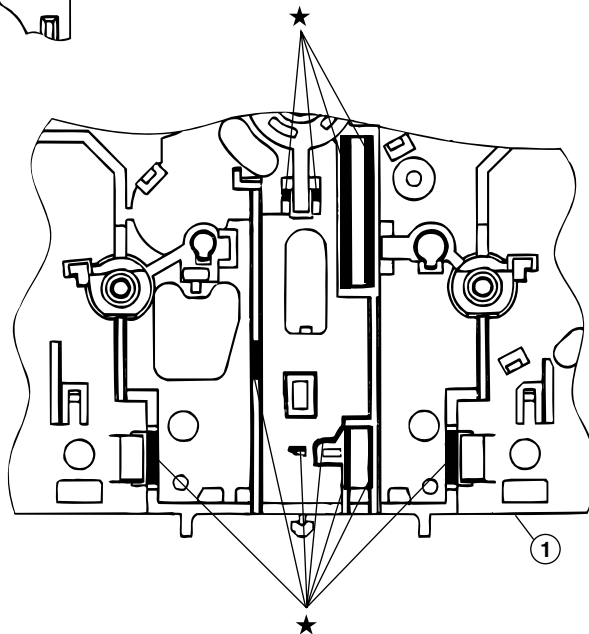
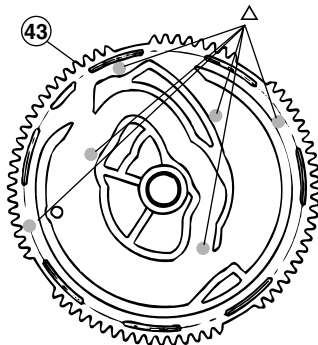
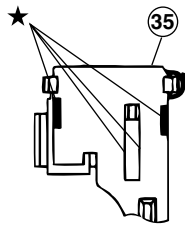
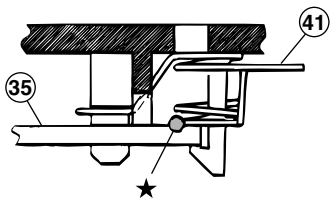
C - C (2/1)



D - D (2/1)



E - E (5/1)



■ Electrical parts list (Power amp board)

Block No. 01

△	Item	Parts number	Parts name	Remarks	Area	△	Item	Parts number	Parts name	Remarks	Area
△	C 900	EETB1HM-228JC	E CAPACITOR	2200MF 20% 50V			D 920	MTZJ24C-T2	Z DIODE I M		
△	C 901	EETB1HM-228JC	E CAPACITOR				D 921	1SS133-T2	SI DIODE IM		
△	C 902	EETB1EM-228JC	E CAPACITOR	2200MF 20% 25V			D 922	1SS133-T2	SI DIODE IM		
	C 904	QCBB1HK-221Y	C CAPACITOR	220PF 10% 50V			D 923	1SS133-T2	SI DIODE IM		
	C 905	EETC1HM-106ZJC	E.CAPA. I.M				D 924	1SS133-T2	SI DIODE IM		
	C 906	EETC1HM-225ZJC	E.CAPA. I.M				D 926	1SS133-T2	SI DIODE IM		
	C 907	EETC1HM-226ZJC	E.CAPA. I.M				D 927	MTZJ5.1C-T2	ZENER DIODE		
	C 913	QFLM1HJ-683Z	M CAPACITOR	.068MF 5% 50V			FT001	QNG0020-001Z	FUSE CLIP		
	C 914	QFLM1HJ-683Z	M CAPACITOR	.068MF 5% 50V			FT002	QNG0020-001Z	FUSE CLIP		
	C 915	QFLM1HJ-683Z	M CAPACITOR	.068MF 5% 50V			FT003	QNG0020-001Z	FUSE CLIP		
	C 916	QFLM1HJ-683Z	M CAPACITOR	.068MF 5% 50V			FT004	QNG0020-001Z	FUSE CLIP		
	C 917	QETN1HM-476Z	E CAPACITOR	47MF 20% 50V			FT005	QNG0020-001Z	FUSE CLIP		
	C 918	EETC1HM-226ZJC	E.CAPA. I.M				FT006	QNG0020-001Z	FUSE CLIP		
	C 919	QETN1JM-107Z	E CAPACITOR	100MF 20% 63V			FT007	QNG0020-001Z	FUSE CLIP		
	C 920	QFLM1HJ-683Z	M CAPACITOR	.068MF 5% 50V			FT008	QNG0020-001Z	FUSE CLIP		
	C 922	EETC1HM-226ZJC	E.CAPA. I.M				FW906	EWR33D-30LS	FLAT WIRE		
	C 923	QDYB1CM-103Y	C.CAPACITOR				FW999	EWR39D-25LS	FLAT WIRE		
	C 924	EETC1HM-475ZJC	E.CAPA. I.M				IC900	TDA7295	IC		
	C 925	QFVJ1HJ-104Z	MF CAPACITOR	.10MF 5% 50V			IC901	TDA7295	IC		
	C 926	QFVJ1HJ-104Z	MF CAPACITOR	.10MF 5% 50V			JA901	QNB0065-001	SPK TERMINAL		
	C 927	QFVJ1HJ-104Z	MF CAPACITOR	.10MF 5% 50V			L 900	QQL2005-R45	INDUCTOR		
	C 928	QFVJ1HJ-104Z	MF CAPACITOR	.10MF 5% 50V			L 901	QQL2005-R45	INDUCTOR		
	C 929	QCSB1HJ-100Y	C CAPACITOR	10PF 5% 50V			Q 901	2SA1175/HFE/-T	TRANSISTOR		
	C 930	QCSB1HJ-100Y	C CAPACITOR	10PF 5% 50V			Q 902	DTC144TSA-T	D.TR.I.M		
	C 931	EETC1CM-476ZJC	E.CAPA. I.M				Q 903	DTA144TSA-T	D.TR.I.M		
	C 932	EETC1CM-476ZJC	E.CAPA. I.M			△	Q 904	2SB1375	TRANSISTOR		
	C 933	QCBB1HK-101Y	C CAPACITOR	100PF 10% 50V			Q 905	KTC3199/GL/-T	TRANSISTOR		
	C 934	QCBB1HK-101Y	C CAPACITOR	100PF 10% 50V			Q 906	KTC3199/GL/-T	TRANSISTOR		
	C 935	EETC1HM-475ZJC	E.CAPA. I.M				Q 911	2SA934/QR/-T	TRANSISTOR		
	C 936	EETC1HM-475ZJC	E.CAPA. I.M				Q 912	DTA114ESA-T	DIGITAL.TR TAPE		
	C 937	EETC1HM-106ZJC	E.CAPA. I.M				Q 917	KTC3199/GL/-T	TRANSISTOR		
	C 938	EETC1HM-106ZJC	E.CAPA. I.M				Q 918	KTC3199/GL/-T	TRANSISTOR		
	C 939	QCBB1HK-101Y	C CAPACITOR	100PF 10% 50V			Q 919	KTA1267/YG/-T	TRANSISTOR		
	C 940	QCBB1HK-101Y	C CAPACITOR	100PF 10% 50V			Q 920	KTC3199/GL/-T	TRANSISTOR		
	C 941	EETC1HM-226ZJC	E.CAPA. I.M				Q 921	2SC3576-JVC-T	TRANSISTOR I/M		
	C 942	EETC1HM-226ZJC	E.CAPA. I.M				Q 922	2SC3576-JVC-T	TRANSISTOR I/M		
	C 943	EETC1HM-105ZJC	E.CAPA. I.M				Q 923	DTC114YSA-T	D.TR.I.M		
	C 944	QFLM1HJ-223Z	M CAPACITOR	.022MF 5% 50V			Q 924	DTC114YSA-T	D.TR.I.M		
	C 945	EETC1CM-476ZJC	E.CAPA. I.M				Q 925	DTA114ESA-T	DIGITAL.TR TAPE		
	C 946	EETC1HM-226ZJC	E.CAPA. I.M				Q 983	2SC3576-JVC-T	TRANSISTOR I/M		
	C 951	EETC1HM-105ZJC	E.CAPA. I.M				Q 984	2SC3576-JVC-T	TRANSISTOR I/M		
	C 958	QCF31HZ-223Z	C CAPACITOR	.022MF +80%-20%			R 900	QRE141J-471Y	C RESISTOR	470 5% 1/4W	
	C 961	EETC1HM-106ZJC	E.CAPA. I.M				R 901	QRE141J-821Y	C RESISTOR	820 5% 1/4W	
	C 963	QFLM1HJ-153Z	M CAPACITOR	.015MF 5% 50V			R 902	QRE141J-1R0Y	C RESISTOR	1.0 5% 1/4W	
	C 964	QFLM1HJ-153Z	M CAPACITOR	.015MF 5% 50V			R 903	QRE141J-1R0Y	C RESISTOR	1.0 5% 1/4W	
	C 967	QFVJ1HJ-104Z	MF CAPACITOR	.10MF 5% 50V			R 904	QRE141J-1R0Y	C RESISTOR	1.0 5% 1/4W	
	CN900	QGB2510K2-11	CONNECTOR				R 905	QRE141J-682Y	C RESISTOR	6.8K 5% 1/4W	
	CN901	QGB2510K2-08	CONNECTOR				R 906	QRE141J-911Y	C RESISTOR	910 5% 1/4W	
	CN903	QGD2504C1-04Z	SOCKET				R 907	QRE141J-751Y	C RESISTOR	750 5% 1/4W	
	CN904	QGD2504C1-05Z	CONNENR				R 908	QRZ9005-151X	F.RES I/M	150 1/0W	
	CN905	QGD2504C1-05Z	SOCKET I.M				R 909	QRE141J-472Y	C RESISTOR	4.7K 5% 1/4W	
	D 900	1SS133-T2	SI DIODE IM				R 910	QRE141J-471Y	C RESISTOR	470 5% 1/4W	
	D 901	MTZJ9.1A-T2	ZENER DIODE				R 911	QRE141J-222Y	C RESISTOR	2.2K 5% 1/4W	
	D 902	1N4003S-T5	SI DIODE				R 912	QRE141J-102Y	C RESISTOR	1.0K 5% 1/4W	
	D 903	1N4003S-T5	DIODE I/M				R 913	QRE141J-472Y	C RESISTOR	4.7K 5% 1/4W	
	D 908	1N5401-TM	DIODE				R 914	QRE141J-472Y	C RESISTOR	4.7K 5% 1/4W	
	D 909	1N5401-TM	DIODE				R 915	QRZ9005-100X	F.RES I/M	10 1/0W	
	D 910	1N5401-TM	DIODE				R 916	QRE141J-222Y	C RESISTOR	2.2K 5% 1/4W	
	D 911	1N5401-TM	DIODE				R 921	QRE141J-222Y	C RESISTOR	2.2K 5% 1/4W	
	D 916	1SR139-400-T4	DIODE I.M				R 922	QRE141J-222Y	C RESISTOR	2.2K 5% 1/4W	
	D 917	1SR139-400-T4	DIODE I.M				R 931	QRE141J-1R0Y	C RESISTOR	1.0 5% 1/4W	
	D 918	MTZJ33C-T2	Z DIODE I M				R 933	QRE141J-1R0Y	C RESISTOR	1.0 5% 1/4W	
	D 919	MTZJ6.2A-T2	Z.DIODE IDM				R 935	QRE141J-102Y	C RESISTOR	1.0K 5% 1/4W	

■ Electrical parts list (Power amp board)

Block No. 01

△	Item	Parts number	Parts name	Remarks	Area
	R 936	QRE141J-103Y	C RESISTOR	10K 5% 1/4W	
	R 937	QRE141J-152Y	C RESISTOR	1.5K 5% 1/4W	
	R 938	QRE141J-330Y	C RESISTOR	33 5% 1/4W	
	R 939	QRL01DJ-471X	OMF RESISTOR	470 5% 1/1W	
	R 940	QRJ146J-100X	UNF.C RESISTOR	10 5% 1/4W	
	R 941	QRJ146J-100X	UNF.C RESISTOR	10 5% 1/4W	
	R 942	QRJ146J-100X	UNF.C RESISTOR	10 5% 1/4W	
	R 943	QRJ146J-100X	UNF.C RESISTOR	10 5% 1/4W	
	R 944	QRE141J-823Y	C RESISTOR	82K 5% 1/4W	
	R 945	QRE141J-104Y	C RESISTOR	100K 5% 1/4W	
	R 946	QRT01DJ-R22X	UNF.MF.RES.I.M	5% 1/1W	
	R 947	QRT01DJ-R22X	UNF.MF.RES.I.M	5% 1/1W	
	R 948	QRE141J-122Y	C RESISTOR	1.2K 5% 1/4W	
	R 949	QRE141J-122Y	C RESISTOR	1.2K 5% 1/4W	
	R 950	QRE141J-823Y	C RESISTOR	82K 5% 1/4W	
	R 951	QRE141J-823Y	C RESISTOR	82K 5% 1/4W	
	R 952	QRJ146J-561X	UNF C.RES I/M	560 5% 1/4W	
	R 953	QRJ146J-561X	UNF C.RES I/M	560 5% 1/4W	
	R 954	QRE141J-104Y	C RESISTOR	100K 5% 1/4W	
	R 955	QRE141J-104Y	C RESISTOR	100K 5% 1/4W	
	R 956	QRE141J-223Y	C RESISTOR	22K 5% 1/4W	
	R 957	QRE141J-102Y	C RESISTOR	1.0K 5% 1/4W	
	R 958	QRZ9006-4R7X	F RESISTOR	4.7 1/0W	
	R 959	QRE141J-104Y	C RESISTOR	100K 5% 1/4W	
	R 960	QRE141J-223Y	C RESISTOR	22K 5% 1/4W	
	R 961	QRE141J-104Y	C RESISTOR	100K 5% 1/4W	
	R 962	QRE141J-103Y	C RESISTOR	10K 5% 1/4W	
	R 963	QRE141J-122Y	C RESISTOR	1.2K 5% 1/4W	
	R 964	QRE141J-681Y	C RESISTOR	680 5% 1/4W	
	R 965	QRE141J-681Y	C RESISTOR	680 5% 1/4W	
	R 966	QRE141J-821Y	C RESISTOR	820 5% 1/4W	
	R 967	QRE141J-821Y	C RESISTOR	820 5% 1/4W	
	R 968	QRE141J-103Y	C RESISTOR	10K 5% 1/4W	
	R 969	QRE141J-103Y	C RESISTOR	10K 5% 1/4W	
	R 971	QRE141J-563Y	C RESISTOR	56K 5% 1/4W	
	R 972	QRE141J-563Y	C RESISTOR	56K 5% 1/4W	
	R 975	QRE141J-104Y	C RESISTOR	100K 5% 1/4W	
	R 976	QRE141J-103Y	C RESISTOR	10K 5% 1/4W	
	R 977	QRE141J-104Y	C RESISTOR	100K 5% 1/4W	
	R 978	QRE141J-104Y	C RESISTOR	100K 5% 1/4W	
	R 983	QRE141J-472Y	C RESISTOR	4.7K 5% 1/4W	
	R 984	QRE141J-472Y	C RESISTOR	4.7K 5% 1/4W	
	R 990	QRE141J-102Y	C RESISTOR	1.0K 5% 1/4W	
	R 991	QRE141J-102Y	C RESISTOR	1.0K 5% 1/4W	
	R 992	QRE141J-472Y	C RESISTOR	4.7K 5% 1/4W	
	R 993	QRE141J-472Y	C RESISTOR	4.7K 5% 1/4W	
	R 997	QRE141J-103Y	C RESISTOR	10K 5% 1/4W	
	R 998	QRE141J-103Y	C RESISTOR	10K 5% 1/4W	
	R 999	QRE141J-103Y	C RESISTOR	10K 5% 1/4W	
	RY901	QSK0109-001	RELAY		
△	S 001	QSW0524-001	VOLTAGE SW		
	SPA10	VYSA1R4-058	SPACER		
	TB001	QNZ0079-001Z	TAB I.M		
	TB002	QNZ0079-001Z	TAB I.M		
	W 001	QWE888-24RR	WIRE		
	W 002	QWE884-20RR	PIN WIRE		
	W 003	QWE883-24RR	WIRE		
	W 004	QWE882-20RR	WIRE		
	W 006	QWE886-22RR	WIRE		
	W 007	QWE881-24RR	WIRE		

■ Electrical parts list (Function,Tuner,Main board) Block No. 02

△	Item	Parts number	Parts name	Remarks	Area	△	Item	Parts number	Parts name	Remarks	Area
	C 1	QDX31EM-223Z	C.CAPA I.M				C 127	EETC1EM-106ZJC	E.CAPA. I.M		
	C 2	QDXB1CM-332Y	C.CAPA IM				C 128	EETC1EM-106ZJC	E.CAPA. I.M		
	C 3	QDX31EM-473Z	C.CAPACITOR				C 129	EETC1EM-106ZJC	E.CAPA. I.M		
	C 4	QDYB1CM-103Y	C.CAPACITOR				C 201	EETC1HM-105ZJC	E.CAPA. I.M		
	C 5	EETC1CM-476ZJC	E.CAPA. I.M				C 203	EETC1EM-106ZJC	E.CAPA. I.M		
	C 6	QCBB1HK-271Y	C CAPACITOR	330PF 10% 50V			C 205	EETC1EM-106ZJC	E.CAPA. I.M		
	C 7	QCFB1HZ-104Y	C CAPACITOR	.10MF +80:-20%			C 206	QCBB1HK-221Y	C CAPACITOR	220PF 10% 50V	
	C 12	QCSB1HJ-100Y	C CAPACITOR	10PF 5% 50V			C 208	EETC1EM-106ZJC	E.CAPA. I.M		
	C 13	QDYB1CM-103Y	C.CAPACITOR				C 210	QFVJ1HJ-124Z	MF CAPACITOR	.12MF 5% 50V	
	C 18	QCBB1HK-471Y	C CAPACITOR	470PF 10% 50V			C 211	QFVJ1HJ-124Z	MF CAPACITOR	.12MF 5% 50V	
	C 19	QCBB1HK-471Y	C CAPACITOR	470PF 10% 50V			C 212	EETC1AM-107ZJC	E.CAPA. I.M		
	C 20	QDGB1HK-102Y	C CAPACITOR				C 213	EETC1EM-106ZJC	E.CAPA. I.M		
	C 21	QDX31EM-473Z	C.CAPACITOR				C 214	EETC1EM-106ZJC	E.CAPA. I.M		
	C 30	EETC1CM-476ZJC	E.CAPA. I.M				C 217	EETC1EM-106ZJC	E.CAPA. I.M		
	C 31	QCSB1HJ-390Y	C CAPACITOR	39PF 5% 50V			C 218	QCBB1HK-471Y	C CAPACITOR	470PF 10% 50V	
	C 32	QDGB1HK-102Y	C CAPACITOR				C 219	EETC1EM-106ZJC	E.CAPA. I.M		
	C 33	EETC1AM-107ZJC	E.CAPA. I.M				C 220	EETC1EM-106ZJC	E.CAPA. I.M		
	C 34	QCSB1HJ-150Y	C CAPACITOR	15PF 5% 50V			C 222	EETC1HM-335ZJC	E.CAPACITOR		
	C 35	QDYB1CM-103Y	C.CAPACITOR				C 226	EETC1EM-106ZJC	E.CAPA. I.M		
	C 36	EETC1CM-106ZJC	E.CAPACITOR				C 227	EETC1EM-106ZJC	E.CAPA. I.M		
	C 37	QDYB1CM-103Y	C.CAPACITOR				C 228	EETC1EM-106ZJC	E.CAPA. I.M		
	C 38	QDX31EM-473Z	C.CAPACITOR				C 229	EETC1EM-106ZJC	E.CAPA. I.M		
	C 39	QDX31EM-473Z	C.CAPACITOR				C 301	QDGB1HK-102Y	C CAPACITOR		
	C 40	QDYB1CM-103Y	C.CAPACITOR				C 305	QFLM1HJ-223Z	M CAPACITOR	.022MF 5% 50V	
	C 41	QEKC1HM-104Z	E CAPACITOR	.10MF 20% 50V			C 306	EETC1HM-475ZJC	E.CAPA. I.M		
	C 42	EETC1HM-474ZJC	E.CAPA. I.M				C 307	EETC1HM-475ZJC	E.CAPA. I.M		
	C 44	QCSB1HJ-680Y	C CAPACITOR	68PF 5% 50V			C 308	EETC1CM-226ZJC	E.CAPA. I.M		
	C 45	EETC1HM-335ZJC	E.CAPACITOR				C 310	QCBB1HK-471Y	C CAPACITOR	470PF 10% 50V	
	C 46	QDX31EM-333Z	C.CAPA I.M				C 312	QCBB1HK-151Y	C CAPACITOR	150PF 10% 50V	
	C 47	QDYB1CM-103Y	C.CAPACITOR				C 313	QCBB1HK-471Y	C CAPACITOR	470PF 10% 50V	
	C 49	QFLM1HJ-393Z	M CAPACITOR	.039MF 5% 50V			C 314	EETC1HM-224ZJC	E.CAPA. I.M		
	C 50	QFLM1HJ-393Z	M CAPACITOR	.039MF 5% 50V			C 315	QFLM1HJ-103Z	M CAPACITOR	.010MF 5% 50V	
	C 51	EETC1HM-105ZJC	E.CAPA. I.M				C 316	QFLM1HJ-393Z	M CAPACITOR	.039MF 5% 50V	
	C 52	EETC1HM-105ZJC	E.CAPA. I.M				C 317	QFLM1HJ-473Z	M CAPACITOR	.047MF 5% 50V	
	C 55	QCSB1HJ-120Y	C CAPACITOR	12PF 5% 50V			C 318	QFLM1HJ-103Z	M CAPACITOR	.010MF 5% 50V	
	C 60	QEKC1AM-107Z	E.CAPACITOR	100MF 20% 10V			C 319	QFLM1HJ-393Z	M CAPACITOR	.039MF 5% 50V	
	C 61	QCSB1HJ-120Y	C CAPACITOR	12PF 5% 50V			C 320	QFLM1HJ-473Z	M CAPACITOR	.047MF 5% 50V	
	C 62	QCSB1HJ-120Y	C CAPACITOR	12PF 5% 50V			C 321	EETC1EM-106ZJC	E.CAPA. I.M		
	C 63	QDX31EM-473Z	C.CAPACITOR				C 322	EETC1AM-476ZJC	E.CAPA. I.M		
	C 65	QDGB1HK-102Y	C CAPACITOR				C 323	EETC1AM-107ZJC	E.CAPA. I.M		
	C 66	QCBB1HK-151Y	C CAPACITOR	150PF 10% 50V			C 324	EETC1CM-106ZJC	E.CAPACITOR		
	C 67	QCBB1HK-151Y	C CAPACITOR	150PF 10% 50V			C 325	EETC1HM-105ZJC	E.CAPA. I.M		
	C 68	QCBB1HK-101Y	C CAPACITOR	100PF 10% 50V			C 327	QFVJ1HJ-184Z	MF CAPACITOR	.18MF 5% 50V	
	C 69	QFVJ1HJ-105Z	MF CAPACITOR	1.0MF 5% 50V			C 329	EETC1HM-474ZJC	E.CAPA. I.M		
	C 70	QDXB1CM-392Y	C.CAPA IM				C 330	EETC1AM-107ZJC	E.CAPA. I.M		
	C 71	EETC1CM-476ZJC	E.CAPA. I.M				C 331	EETC1AM-107ZJC	E.CAPA. I.M		
	C 72	QDGB1HK-102Y	C CAPACITOR				C 332	QFLM1HJ-103Z	M CAPACITOR	.010MF 5% 50V	
	C 101	EETC1HM-105ZJC	E.CAPA. I.M				C 333	EETC1AM-107ZJC	E.CAPA. I.M		
	C 103	EETC1EM-106ZJC	E.CAPA. I.M				C 334	QDGB1HK-102Y	C CAPACITOR		
	C 105	EETC1EM-106ZJC	E.CAPA. I.M				C 335	EETC1AM-107ZJC	E.CAPA. I.M		
	C 106	QCBB1HK-221Y	C CAPACITOR	220PF 10% 50V			C 336	EETC1AM-107ZJC	E.CAPA. I.M		
	C 108	EETC1EM-106ZJC	E.CAPA. I.M				C 337	EETC1CM-226ZJC	E.CAPA. I.M		
	C 110	QFVJ1HJ-124Z	MF CAPACITOR	.12MF 5% 50V			C 338	EETC1AM-107ZJC	E.CAPA. I.M		
	C 111	QFVJ1HJ-124Z	MF CAPACITOR	.12MF 5% 50V			C 339	EETC1AM-107ZJC	E.CAPA. I.M		
	C 112	EETC1AM-107ZJC	E.CAPA. I.M				C 340	EETC1AM-476ZJC	E.CAPA. I.M		
	C 113	EETC1EM-106ZJC	E.CAPA. I.M				C 341	EETC1AM-476ZJC	E.CAPA. I.M		
	C 114	EETC1EM-106ZJC	E.CAPA. I.M				C 342	QETC1AM-477Z	E CAPACITOR	470MF 20% 10V	
	C 117	EETC1EM-106ZJC	E.CAPA. I.M				C 343	QETC1AM-108Z	E CAPACITOR	1000MF 20% 10V	
	C 118	QCBB1HK-471Y	C CAPACITOR	470PF 10% 50V			C 351	EETC1CM-476ZJC	E.CAPA. I.M		
	C 119	EETC1EM-106ZJC	E.CAPA. I.M				C 356	QETC0JM-477Z	E CAPACITOR	470MF 20% 6.3V	
	C 120	EETC1EM-106ZJC	E.CAPA. I.M				C 362	QCBB1HK-151Y	C CAPACITOR	150PF 10% 50V	
	C 122	EETC1HM-335ZJC	E.CAPACITOR				C 364	QETN1AM-108Z	E CAPACITOR	1000MF 20% 10V	
	C 126	EETC1EM-106ZJC	E.CAPA. I.M				C 380	QCSB1HJ-330Y	C CAPACITOR	33PF 5% 50V	

■ Electrical parts list(Function,Tuner,main board) Block No. 02

△	Item	Parts number	Parts name	Remarks	Area	△	Item	Parts number	Parts name	Remarks	Area
	C 381	QDXB1CM-182Y	C.CAPA IM				D 320	1N4003S-T5	DIODE I/M		
	C 382	QFLM1HJ-153Z	M CAPACITOR	.015MF 5% 50V			D 321	1SS133-T2	SI DIODE IM		
	C 383	QDGB1HK-681Y	C CAPACITOR				D 322	1SS133-T2	SI DIODE IM		
	C 384	EETC1HM-105ZJC	E.CAPA. I.M				D 323	1SS133-T2	SI DIODE IM		
	C 385	QETC1HM-476Z	E CAPACITOR	47MF 20% 50V			D 324	1SS133-T2	SI DIODE IM		
	C 503	QETC0JM-477Z	E CAPACITOR	470MF 20% 6.3V			D 325	MTZJ5.1A-T2	ZENER DIODE		
	C 504	FCQS31HJ-470Z	D.CAPACITOR				D 326	MTZJ5.1A-T2	ZENER DIODE		
	C 505	QETM0JM-478	E.CAPACITOR	4700MF 20% 6.3V			D 328	1SS133-T2	SI DIODE IM		
	C 507	QCF31HZ-103Z	C CAPACITOR	.010MF +80:-20%			D 380	1SS133-T2	SI DIODE IM		
	C 508	QCB31HK-103Z	C CAPACITOR	820PF 5% 50V			D 501	MTZJ6.8C-T2	Z DIODE I/M		
	C 509	QCF31HZ-473Z	C CAPACITOR	.047MF +80:-20%			D 502	MTZJ6.8C-T2	Z DIODE I/M		
	C 510	QCB31HK-103Z	C CAPACITOR	.010MF 10% 50V			D 912	RD5.6JS/B1/-T2	ZENER DIODE		
	C 511	QCB31HK-103Z	C CAPACITOR	.010MF 10% 50V			D 913	1SS133-T2	SI DIODE IM		
	C 908	EETC1CM-226ZJC	E.CAPA. I.M				D 915	1SS133-T2	SI DIODE IM		
	C 909	EETC1CM-226ZJC	E.CAPA. I.M				D 916	MTZJ8.2C-T2	ZENER DIODE		
	C 912	EETC1AM-107ZJC	E.CAPA. I.M				D 928	MTZJ4.3B-T2	ZENER DIODE		
	C 920	QFLM1HJ-103Z	M CAPACITOR	.010MF 5% 50V			D 929	1SS133-T2	SI DIODE IM		
	C 921	EETC1AM-107ZJC	E.CAPA. I.M				EP001	E409182-001SM	GRAND TERMINAL		
	C 930	QETC1EM-476Z	E CAPACITOR	47MF 20% 25V			FS 1	E3400-431	SPACER		
	C 931	QCZ0205-155Z	ML C CAPA I/M	1.5MF			FW501	EWR33D-40SSV	FLAT WIRE		
	C 932	EETC1HM-225ZJC	E.CAPA. I.M				IC 1	TA2057N	IC		
	C 934	QCZ0205-155Z	ML C CAPA I/M	1.5MF			IC 2	LC72136N	IC		
	C 935	QETC0JM-477Z	E CAPACITOR	470MF 20% 6.3V			IC301	TC4052BP	IC		
	C 968	QDYB1CM-103Y	C.CAPACITOR				IC302	BH3854AS	IC		
	CF 1	QAX0419-001Z	C FILTER				IC303	BA15218	IC		
	CF 2	QAX0419-001Z	C FILTER				IC304	BU4066BC	IC		
	CF 3	QAX0418-001Z	C FILTER				IC305	BA15218	IC		
	CF 4	QAX0453-001	CRYSTAL				IC306	BA15218	IC		
	CN302	QGF1201C3-10	CONNECTOR				IC307	BA15218	IC		
	CN303	QGF1201C3-13	FFC CONNE				IC901	BP5020	P.W.B. MODULE		
	CN304	QGF1016C1-19	CONNECTOR				J 1	QNB0008-001	ANT TERMINAL		
	CN305	QGF1016C1-05	FFC/FPC CONNE				JA301	QNN0132-001	PIN JACK		
	CN306	QGA2001C1-06	6P PLUG ASSY				JA302	QNN0095-001	PIN JACK		
	CN307	QGB2510J1-08	CONNECTOR				L 1	QQR0796-001	COIL BLOCK		
	CN308	QGB2510J1-11	CONNECTOR				L 4	QQL231K-221Y	INDUCTOR		
	CN309	QGD2501C1-03Z	SOCKET				L 306	QQL29BJ-100Z	INDUCTOR		
	CN310	QGD2504C1-03Z	SOCKET I.M				L 501	QQR0601-001Z	FERRITE BEADS		
	CN311	QGB2510J1-07	CONNECTOR				L 502	QQR0601-001Z	FERRITE BEADS		
	CN312	QGB2510J1-07	CONNECTOR				L 503	QQR0601-001Z	FERRITE BEADS		
	CN316	QGF1201C3-17	VMC0332-017				L 504	QQR0601-001Z	FERRITE BEADS		
	D 1	1SS133-T2	SI DIODE IM				L 505	QQR0601-001Z	FERRITE BEADS		
	D 2	1SS133-T2	SI DIODE IM				PP301	QZW0007-001	POST PIN		
	D 3	1SS133-T2	SI DIODE IM				Q 1	2SC1923/O/-T	TRANSISTOR		
	D 4	1SS133-T2	SI DIODE IM				Q 6	DTA114YSA-T	D.TR.I.M		
	D 7	1SS133-T2	SI DIODE IM				Q 301	2SC3576-JVC-T	TRANSISTOR I/M		
	D 300	RB721Q-T2	S.B.DIODE				Q 302	2SC3576-JVC-T	TRANSISTOR I/M		
	D 301	1SS133-T2	SI DIODE IM				Q 303	DTA114ESA-T	DIGITAL.TR TAPE		
	D 302	1SS133-T2	SI DIODE IM				Q 304	DTA114ESA-T	DIGITAL.TR TAPE		
	D 303	RB721Q-T2	S.B.DIODE				Q 305	DTC114ESA-T	DIGITAL.TR TAPE		
	D 304	1SS133-T2	SI DIODE IM				Q 306	DTC114ESA-T	DIGITAL.TR TAPE		
	D 305	MTZJ5.1A-T2	ZENER DIODE				Q 307	DTC114ESA-T	DIGITAL.TR TAPE		
	D 306	1SS133-T2	SI DIODE IM				Q 308	DTC114ESA-T	DIGITAL.TR TAPE		
	D 307	1SS133-T2	SI DIODE IM				Q 309	KTC3199/GL/-T	TRANSISTOR		
	D 308	1SS133-T2	SI DIODE IM				Q 310	KTC3199/GL/-T	TRANSISTOR		
	D 309	MTZJ5.1A-T2	ZENER DIODE				Q 311	2SC3576-JVC-T	TRANSISTOR I/M		
	D 310	1N4003S-T5	DIODE I/M				Q 312	2SC3576-JVC-T	TRANSISTOR I/M		
	D 312	1SS133-T2	SI DIODE IM				Q 313	2SC3576-JVC-T	TRANSISTOR I/M		
	D 313	1SS133-T2	SI DIODE IM				Q 314	2SC3576-JVC-T	TRANSISTOR I/M		
	D 314	1SS133-T2	SI DIODE IM				Q 315	DTA114ESA-T	DIGITAL.TR TAPE		
	D 315	1N4003S-T5	DIODE I/M				Q 319	DTC144ESA-T	D.TR.I.M		
	D 316	1SS133-T2	SI DIODE IM				Q 380	KTC3199/GL/-T	TRANSISTOR		
	D 317	1SS133-T2	SI DIODE IM				Q 381	KTC3199/GL/-T	TRANSISTOR		
	D 318	1SS133-T2	SI DIODE IM				Q 907	2SA1175/HFE/-T	TRANSISTOR		

■ Electrical parts list (Function,Tuner,Main board)

Block No. 02

△	Item	Parts number	Parts name	Remarks	Area	△	Item	Parts number	Parts name	Remarks	Area
	Q 908	KTC3199/GL/-T	TRANSISTOR				R 119	QRE141J-822Y	C RESISTOR	8.2K 5% 1/4W	
	Q 910	KTC3199/GL/-T	TRANSISTOR				R 120	QRE141J-822Y	C RESISTOR	8.2K 5% 1/4W	
	Q 913	2SB1565/EF/	TRANSISTOR				R 121	QRE141J-432Y	C RESISTOR	4.3K 5% 1/4W	
	Q 914	KTC3199/GL/-T	TRANSISTOR				R 122	QRE141J-273Y	C RESISTOR	27K 5% 1/4W	
	Q 915	KTC3199/GL/-T	TRANSISTOR				R 124	QRE141J-113Y	C RESISTOR	11K 5% 1/4W	
	Q 916	KTC3199/GL/-T	TRANSISTOR				R 125	QRE141J-103Y	C RESISTOR	10K 5% 1/4W	
	Q 917	2SB1565/EF/	TRANSISTOR				R 126	QRE141J-471Y	C RESISTOR	470 5% 1/4W	
	R 1	QRE141J-102Y	C RESISTOR	1.0K 5% 1/4W			R 130	QRE141J-473Y	C RESISTOR	47K 5% 1/4W	
	R 2	QRE141J-821Y	C RESISTOR	820 5% 1/4W			R 133	QRE141J-472Y	C RESISTOR	4.7K 5% 1/4W	
	R 3	QRE141J-560Y	C RESISTOR	56 5% 1/4W			R 134	QRE141J-223Y	C RESISTOR	22K 5% 1/4W	
	R 10	QRE141J-102Y	C RESISTOR	1.0K 5% 1/4W			R 135	QRE141J-432Y	C RESISTOR	4.3K 5% 1/4W	
	R 12	QRE141J-102Y	C RESISTOR	1.0K 5% 1/4W			R 136	QRE141J-472Y	C RESISTOR	4.7K 5% 1/4W	
	R 13	QRE141J-104Y	C RESISTOR	100K 5% 1/4W			R 137	QRE141J-104Y	C RESISTOR	100K 5% 1/4W	
	R 20	QRE141J-331Y	C RESISTOR	330 5% 1/4W			R 201	QRE141J-153Y	C RESISTOR	15K 5% 1/4W	
	R 21	QRE141J-224Y	C RESISTOR	220K 5% 1/4W			R 202	QRE141J-432Y	C RESISTOR	4.3K 5% 1/4W	
	R 22	QRE141J-331Y	C RESISTOR	330 5% 1/4W			R 203	QRE141J-473Y	C RESISTOR	47K 5% 1/4W	
	R 23	QRE141J-270Y	C RESISTOR	27 5% 1/4W			R 204	QRE141J-471Y	C RESISTOR	470 5% 1/4W	
	R 24	QRE141J-271Y	C RESISTOR	270 5% 1/4W			R 205	QRE141J-332Y	C RESISTOR	3.3K 5% 1/4W	
	R 25	QRE141J-273Y	C RESISTOR	27K 5% 1/4W			R 206	QRE141J-242Y	C RESISTOR	2.4K 5% 1/4W	
	R 26	QRE141J-273Y	C RESISTOR	27K 5% 1/4W			R 209	QRE141J-104Y	C RESISTOR	100K 5% 1/4W	
	R 27	QRE141J-223Y	C RESISTOR	22K 5% 1/4W			R 211	QRE141J-433Y	C RESISTOR	43K 5% 1/4W	
	R 29	QRE141J-473Y	C RESISTOR	47K 5% 1/4W			R 212	QRE141J-222Y	C RESISTOR	2.2K 5% 1/4W	
	R 30	QRE141J-103Y	C RESISTOR	10K 5% 1/4W			R 213	QRE141J-221Y	C RESISTOR	220 5% 1/4W	
	R 31	QRE141J-103Y	C RESISTOR	10K 5% 1/4W			R 215	QRE141J-113Y	C RESISTOR	11K 5% 1/4W	
	R 34	QRE141J-222Y	C RESISTOR	2.2K 5% 1/4W			R 216	QRE141J-124Y	C RESISTOR	120K 5% 1/4W	
	R 35	QRE141J-222Y	C RESISTOR	2.2K 5% 1/4W			R 217	QRE141J-222Y	C RESISTOR	2.2K 5% 1/4W	
	R 36	QRE141J-103Y	C RESISTOR	10K 5% 1/4W			R 218	QRE141J-222Y	C RESISTOR	2.2K 5% 1/4W	
	R 37	QRE141J-562Y	C RESISTOR	5.6K 5% 1/4W			R 219	QRE141J-822Y	C RESISTOR	8.2K 5% 1/4W	
	R 38	QRE141J-392Y	C RESISTOR	3.9K 5% 1/4W			R 220	QRE141J-822Y	C RESISTOR	8.2K 5% 1/4W	
	R 39	QRE141J-392Y	C RESISTOR	3.9K 5% 1/4W			R 221	QRE141J-432Y	C RESISTOR	4.3K 5% 1/4W	
	R 40	QRE141J-560Y	C RESISTOR	56 5% 1/4W			R 222	QRE141J-273Y	C RESISTOR	27K 5% 1/4W	
	R 42	QRE141J-102Y	C RESISTOR	1.0K 5% 1/4W			R 224	QRE141J-113Y	C RESISTOR	11K 5% 1/4W	
	R 43	QRE141J-102Y	C RESISTOR	1.0K 5% 1/4W			R 225	QRE141J-103Y	C RESISTOR	10K 5% 1/4W	
	R 44	QRE141J-102Y	C RESISTOR	1.0K 5% 1/4W			R 226	QRE141J-471Y	C RESISTOR	470 5% 1/4W	
	R 45	QRE141J-102Y	C RESISTOR	1.0K 5% 1/4W			R 230	QRE141J-473Y	C RESISTOR	47K 5% 1/4W	
	R 46	QRE141J-104Y	C RESISTOR	100K 5% 1/4W			R 233	QRE141J-472Y	C RESISTOR	4.7K 5% 1/4W	
	R 47	QRE141J-103Y	C RESISTOR	10K 5% 1/4W			R 234	QRE141J-223Y	C RESISTOR	22K 5% 1/4W	
	R 48	QRE141J-331Y	C RESISTOR	330 5% 1/4W			R 235	QRE141J-432Y	C RESISTOR	4.3K 5% 1/4W	
	R 49	QRE141J-102Y	C RESISTOR	1.0K 5% 1/4W			R 236	QRE141J-472Y	C RESISTOR	4.7K 5% 1/4W	
	R 52	QRE141J-472Y	C RESISTOR	4.7K 5% 1/4W			R 237	QRE141J-104Y	C RESISTOR	100K 5% 1/4W	
	R 54	QRE141J-472Y	C RESISTOR	4.7K 5% 1/4W			R 300	QRE141J-334Y	C RESISTOR	330K 5% 1/4W	
	R 55	QRE141J-182Y	C RESISTOR	1.8K 5% 1/4W			R 302	QRE141J-184Y	C RESISTOR	180K 5% 1/4W	
	R 56	QRE141J-332Y	C RESISTOR	3.3K 5% 1/4W			R 303	QRE141J-224Y	C RESISTOR	220K 5% 1/4W	
	R 57	QRE141J-102Y	C RESISTOR	1.0K 5% 1/4W			R 304	QRE141J-124Y	C RESISTOR	120K 5% 1/4W	
	R 58	QRE141J-562Y	C RESISTOR	5.6K 5% 1/4W			R 305	QRE141J-102Y	C RESISTOR	1.0K 5% 1/4W	
	R 59	QRE141J-562Y	C RESISTOR	5.6K 5% 1/4W			R 306	QRE141J-102Y	C RESISTOR	1.0K 5% 1/4W	
	R 64	QRE141J-473Y	C RESISTOR	47K 5% 1/4W			R 307	QRE141J-222Y	C RESISTOR	2.2K 5% 1/4W	
	R 66	QRE141J-222Y	C RESISTOR	2.2K 5% 1/4W			R 308	QRE141J-152Y	C RESISTOR	1.5K 5% 1/4W	
	R 69	QRE141J-103Y	C RESISTOR	10K 5% 1/4W			R 309	QRE141J-101Y	C RESISTOR	100 5% 1/4W	
	R 101	QRE141J-153Y	C RESISTOR	15K 5% 1/4W			R 310	QRE141J-223Y	C RESISTOR	22K 5% 1/4W	
	R 102	QRE141J-432Y	C RESISTOR	4.3K 5% 1/4W			R 311	QRE141J-124Y	C RESISTOR	120K 5% 1/4W	
	R 103	QRE141J-473Y	C RESISTOR	47K 5% 1/4W			R 313	QRE141J-302Y	C RESISTOR	3.0K 5% 1/4W	
	R 104	QRE141J-471Y	C RESISTOR	470 5% 1/4W			R 315	QRE141J-222Y	C RESISTOR	2.2K 5% 1/4W	
	R 105	QRE141J-332Y	C RESISTOR	3.3K 5% 1/4W			R 316	QRE141J-474Y	C RESISTOR	470K 5% 1/4W	
	R 106	QRE141J-242Y	C RESISTOR	2.4K 5% 1/4W			R 321	QRE141J-103Y	C RESISTOR	10K 5% 1/4W	
	R 109	QRE141J-104Y	C RESISTOR	100K 5% 1/4W			R 322	QRE141J-104Y	C RESISTOR	100K 5% 1/4W	
	R 111	QRE141J-433Y	C RESISTOR	43K 5% 1/4W			R 323	QRE141J-221Y	C RESISTOR	220 5% 1/4W	
	R 112	QRE141J-222Y	C RESISTOR	2.2K 5% 1/4W			R 324	QRE141J-473Y	C RESISTOR	47K 5% 1/4W	
	R 113	QRE141J-221Y	C RESISTOR	220 5% 1/4W			R 325	QRE141J-472Y	C RESISTOR	4.7K 5% 1/4W	
	R 115	QRE141J-113Y	C RESISTOR	11K 5% 1/4W			R 326	QRE141J-472Y	C RESISTOR	4.7K 5% 1/4W	
	R 116	QRE141J-124Y	C RESISTOR	120K 5% 1/4W			R 327	QRE141J-152Y	C RESISTOR	1.5K 5% 1/4W	
	R 117	QRE141J-222Y	C RESISTOR	2.2K 5% 1/4W			R 328	QRE141J-223Y	C RESISTOR	22K 5% 1/4W	
	R 118	QRE141J-222Y	C RESISTOR	2.2K 5% 1/4W			R 329	QRE141J-221Y	C RESISTOR	220 5% 1/4W	

■ Electrical parts list (Function, Tuner, Main board) Block No. 02

△	Item	Parts number	Parts name	Remarks	Area
	R 330	QRE141J-152Y	C RESISTOR	1.5K 5% 1/4W	
	R 331	QRE141J-102Y	C RESISTOR	1.0K 5% 1/4W	
	R 332	QRE141J-221Y	C RESISTOR	220 5% 1/4W	
	R 333	QRE141J-221Y	C RESISTOR	220 5% 1/4W	
	R 334	QRE141J-221Y	C RESISTOR	220 5% 1/4W	
	R 335	QRE141J-221Y	C RESISTOR	220 5% 1/4W	
	R 336	QRE141J-221Y	C RESISTOR	220 5% 1/4W	
	R 337	QRE141J-221Y	C RESISTOR	220 5% 1/4W	
	R 338	QRE141J-221Y	C RESISTOR	220 5% 1/4W	
	R 339	QRE141J-221Y	C RESISTOR	220 5% 1/4W	
	R 341	QRE141J-472Y	C RESISTOR	4.7K 5% 1/4W	
	R 342	QRE141J-472Y	C RESISTOR	4.7K 5% 1/4W	
	R 343	QRE141J-472Y	C RESISTOR	4.7K 5% 1/4W	
	R 344	QRE141J-472Y	C RESISTOR	4.7K 5% 1/4W	
	R 345	QRE141J-103Y	C RESISTOR	10K 5% 1/4W	
	R 346	QRE141J-103Y	C RESISTOR	10K 5% 1/4W	
	R 347	QRE141J-103Y	C RESISTOR	10K 5% 1/4W	
	R 348	QRE141J-103Y	C RESISTOR	10K 5% 1/4W	
	R 351	QRE141J-221Y	C RESISTOR	220 5% 1/4W	
	R 352	QRE141J-152Y	C RESISTOR	1.5K 5% 1/4W	
	R 353	QRE141J-472Y	C RESISTOR	4.7K 5% 1/4W	
	R 354	QRE141J-472Y	C RESISTOR	4.7K 5% 1/4W	
	R 355	QRE141J-473Y	C RESISTOR	47K 5% 1/4W	
	R 356	QRE141J-473Y	C RESISTOR	47K 5% 1/4W	
	R 357	QRE141J-102Y	C RESISTOR	1.0K 5% 1/4W	
	R 358	QRE141J-102Y	C RESISTOR	1.0K 5% 1/4W	
	R 361	QRE141J-562Y	C RESISTOR	5.6K 5% 1/4W	
	R 365	QRE141J-102Y	C RESISTOR	1.0K 5% 1/4W	
	R 366	QRE141J-102Y	C RESISTOR	1.0K 5% 1/4W	
	R 380	QRE141J-225Y	C RESISTOR	2.2M 5% 1/4W	
	R 381	QRE141J-473Y	C RESISTOR	47K 5% 1/4W	
	R 382	QRE141J-220Y	C RESISTOR	22 5% 1/4W	
	R 383	QRE141J-104Y	C RESISTOR	100K 5% 1/4W	
	R 502	QRE141J-104Y	C RESISTOR	100K 5% 1/4W	
	R 917	QRE141J-153Y	C RESISTOR	15K 5% 1/4W	
	R 918	QRE141J-103Y	C RESISTOR	10K 5% 1/4W	
	R 919	QRE141J-390Y	C RESISTOR	39 5% 1/4W	
	R 920	QRE141J-102Y	C RESISTOR	1.0K 5% 1/4W	
	R 924	QRZ9006-4R7X	F RESISTOR	4.7 1/0W	
	R 925	QRE141J-473Y	C RESISTOR	47K 5% 1/4W	
	R 926	QRE141J-561Y	C RESISTOR	560 5% 1/4W	
	R 927	QRE141J-222Y	C RESISTOR	2.2K 5% 1/4W	
	R 928	QRE141J-682Y	C RESISTOR	6.8K 5% 1/4W	
	R 929	QRE141J-332Y	C RESISTOR	3.3K 5% 1/4W	
	R 930	QRE141J-103Y	C RESISTOR	10K 5% 1/4W	
	R 932	QRE141J-103Y	C RESISTOR	10K 5% 1/4W	
	R 933	QRE141J-473Y	C RESISTOR	47K 5% 1/4W	
	R 934	QRZ9006-4R7X	F RESISTOR	4.7 1/0W	
	R 935	QRL01DJ-220X	OMF RESISTOR	22 5% 1/1W	
	R 936	QRL01DJ-220X	OMF RESISTOR	22 5% 1/1W	
	R 937	QRL01DJ-220X	OMF RESISTOR	22 5% 1/1W	
	R 938	QRL01DJ-220X	OMF RESISTOR	22 5% 1/1W	
	R 979	QRE141J-471Y	C RESISTOR	470 5% 1/4W	
	R 980	QRE141J-104Y	C RESISTOR	100K 5% 1/4W	
	T 1	QQR0793-001	IFT		
	TU 1	QAU0037-001	FRONT END		
	W 1	QUB220-04A2A2	WIRE		
	X 1	QAX0402-001	CRYSTAL		

■ Electrical parts list (System control & Switch board) Block No. 03

Item	Parts number	Parts name	Remarks	Area	Item	Parts number	Parts name	Remarks	Area
C 461	QER60JM-476Z	E.CAPA. I.M	47MF 20% 6.3V		J 851	QNS0080-001	6.3 JACK	MIC JACK	
C 462	QDGB1HK-102Y	C CAPACITOR			J 852	QNS0080-001	6.3 JACK	MIC JACK	
C 463	QDYB1CM-103Y	C.CAPACITOR			JS701	QSW0538-001	ROTARY ENCODER		
C 464	QDYB1CM-103Y	C.CAPACITOR			L 701	QQL173K-470Z	INDUCTOR		
C 701	QEKC1HM-226Z	E.CAPACITOR	22MF 20% 50V		L 702	QQL173K-470Z	INDUCTOR		
C 702	QEKC1HM-226Z	E.CAPACITOR	22MF 20% 50V		L 703	QQL29BJ-100Z	INDUCTOR		
C 703	QFVJ1HJ-124Z	MF CAPACITOR	.12MF 5% 50V		L 704	QQL231K-4R7Y	INDUCTOR		
C 708	QCBB1HK-151Y	C CAPACITOR	150PF 10% 50V		L 705	QQL231K-4R7Y	INDUCTOR		
C 713	QDGB1HK-102Y	C CAPACITOR			L 706	QQL29BJ-100Z	INDUCTOR		
C 714	QDGB1HK-102Y	C CAPACITOR			L 707	QQL29BJ-100Z	INDUCTOR		
C 715	QER61CM-106Z	E CAPACITOR	10MF 20% 16V		L 708	QQL231K-220Y	INDUCTOR		
C 716	QER61HM-105Z	E CAPACITOR	1.0MF 20% 50V		L 709	QQR0779-001Z	INDUCTOR		
C 717	QETN1AM-108Z	E CAPACITOR	1000MF 20% 10V		L 840	QQL231K-2R2Y	INDUCTOR I.M		
C 718	QEKC0JM-107Z	E CAPACITOR	100MF 20% 6.3V		P 100	QWE880-18NTPX	WIRE		
C 719	QDGB1HK-102Y	C CAPACITOR			Q 470	DTC114ESA-T	DIGITAL.TR TAPE		
C 720	QCSB1HJ-220Y	C CAPACITOR	22PF 5% 50V		Q 471	DTC114ESA-T	DIGITAL.TR TAPE		
C 721	QCSB1HJ-220Y	C CAPACITOR	22PF 5% 50V		Q 472	DTA114ESA-T	DIGITAL.TR TAPE		
C 722	QDGB1HK-102Y	C CAPACITOR			Q 473	DTA114ESA-T	DIGITAL.TR TAPE		
C 723	QCSB1HJ-390Y	C CAPACITOR	39PF 5% 50V		Q 474	DTC114ESA-T	DIGITAL.TR TAPE		
C 724	QCSB1HJ-180Y	C CAPACITOR	18PF 5% 50V		Q 703	KTC3199/GL/-T	TRANSISTOR		
C 725	QCSB1HJ-220Y	C CAPACITOR	22PF 5% 50V		Q 704	DTC114TSA-T	D.TRANSISTOR		
C 726	QCSB1HJ-390Y	C CAPACITOR	39PF 5% 50V		Q 705	2SA1175/FE/-T	TRANSISTOR		
C 727	QDGB1HK-102Y	C CAPACITOR			Q 706	2SC2668/O/-T	TRANSISTOR		
C 728	QDGB1HK-102Y	C CAPACITOR			Q 707	2SC2668/O/-T	TRANSISTOR		
C 730	QDGB1HK-102Y	C CAPACITOR			Q 708	KTC3199/GL/-T	TRANSISTOR		
C 735	QEKC1CM-476Z	E.CAPACITOR	47MF 20% 16V		Q 709	KTC3199/GL/-T	TRANSISTOR		
C 737	QCBB1HK-151Y	C CAPACITOR	150PF 10% 50V		Q 711	2SC3576-JVC-T	TRANSISTOR I/M		
C 739	QDYB1CM-103Y	C.CAPACITOR			Q 771	KTC3199/GL/-T	TRANSISTOR		
C 740	QDYB1CM-103Y	C.CAPACITOR			Q 772	KTC3199/GL/-T	TRANSISTOR		
C 840	QDGB1HK-102Y	C CAPACITOR			Q 773	KTC3199/GL/-T	TRANSISTOR		
C 841	QDGB1HK-102Y	C CAPACITOR			Q 774	DTC114ESA-T	DIGITAL.TR TAPE		
C 842	QDGB1HK-102Y	C CAPACITOR			R 470	QRE141J-202Y	C RESISTOR	2.0K 5% 1/4W	
C 850	EETC1HM-225ZJC	E.CAPA. I.M			R 471	QRE141J-752Y	C RESISTOR	7.5K 5% 1/4W	
C 857	EETC1AM-107ZJC	E.CAPA. I.M			R 472	QRE141J-392Y	C RESISTOR	3.9K 5% 1/4W	
C 873	QETC1AM-227Z	E CAPACITOR	220MF 20% 10V		R 473	QRE141J-562Y	C RESISTOR	5.6K 5% 1/4W	
C 874	EETC1HM-225ZJC	E.CAPA. I.M			R 474	QRE141J-103Y	C RESISTOR	10K 5% 1/4W	
C 875	EETC1HM-475ZJC	E.CAPA. I.M			R 475	QRE141J-183Y	C RESISTOR	18K 5% 1/4W	
C 876	QCBB1HK-101Y	C CAPACITOR	100PF 10% 50V		R 476	QRE141J-122Y	C RESISTOR	1.2K 5% 1/4W	
C 879	QCBB1HK-101Y	C CAPACITOR	100PF 10% 50V		R 477	QRE141J-152Y	C RESISTOR	1.5K 5% 1/4W	
C 880	EETC1HM-105ZJC	E.CAPA. I.M			R 478	QRE141J-222Y	C RESISTOR	2.2K 5% 1/4W	
CN700	QGF1205F1-11	CONNECTOR			R 480	QRE141J-392Y	C RESISTOR	3.9K 5% 1/4W	
CN701	QGF1205F1-13	CONNECTOR			R 481	QRE141J-562Y	C RESISTOR	5.6K 5% 1/4W	
CN702	QGF1205F1-17	CONNECTOR			R 482	QRE141J-103Y	C RESISTOR	10K 5% 1/4W	
D 412	SLR-342MC-T	LED			R 483	QRE141J-183Y	C RESISTOR	18K 5% 1/4W	
D 413	SLR-342MC-T	LED			R 484	QRE141J-473Y	C RESISTOR	47K 5% 1/4W	
D 414	SLR-342MC-T	LED			R 485	QRE141J-272Y	C RESISTOR	2.7K 5% 1/4W	
D 415	SLR-342MC-T	LED			R 486	QRE141J-271Y	C RESISTOR	270 5% 1/4W	
D 701	1SS133-T2	SI DIODE IM			R 487	QRE141J-271Y	C RESISTOR	270 5% 1/4W	
D 702	1SS133-T2	SI DIODE IM			R 488	QRE141J-121Y	C RESISTOR	120 5% 1/4W	
D 703	1SS133-T2	SI DIODE IM			R 489	QRE141J-121Y	C RESISTOR	120 5% 1/4W	
D 704	1SS133-T2	SI DIODE IM			R 490	QRE141J-472Y	C RESISTOR	4.7K 5% 1/4W	
D 705	MTZJ5.1A-T2	ZENER DIODE			R 689	QRE141J-103Y	C RESISTOR	10K 5% 1/4W	
D 706	1SS133-T2	SI DIODE IM			R 690	QRE141J-102Y	C RESISTOR	1.0K 5% 1/4W	
D 707	SLP-9118C51HS-T	LED			R 691	QRE141J-102Y	C RESISTOR	1.0K 5% 1/4W	
FL701	QLF0047-001	FL TUBE			R 692	QRE141J-122Y	C RESISTOR	1.2K 5% 1/4W	
FW701	QUM026-1023Z3	PARA RIBON WIRE			R 693	QRE141J-152Y	C RESISTOR	1.5K 5% 1/4W	
FW702	VWSC06-103K3K	FLAT WIRE			R 694	QRE141J-222Y	C RESISTOR	2.2K 5% 1/4W	
FW851	EWR35D-35LSV	FLAT WIRE			R 695	QRE141J-272Y	C RESISTOR	2.7K 5% 1/4W	
FW852	EWR33D-25LSV	FLAT WIRE			R 696	QRE141J-392Y	C RESISTOR	3.9K 5% 1/4W	
IC404	GP1U261X	IR DETECT UNIT			R 697	QRE141J-562Y	C RESISTOR	5.6K 5% 1/4W	
IC701	UPD78044FGF-089	IC			R 700	QRE141J-103Y	C RESISTOR	10K 5% 1/4W	
IC852	NJM4580L	IC			R 701	QRE141J-221Y	C RESISTOR	220 5% 1/4W	
J 850	QNS0032-001	JACK			R 702	QRE141J-221Y	C RESISTOR	220 5% 1/4W	

Electrical parts list (System control & Switch board) Block No. 03

△	Item	Parts number	Parts name	Remarks	Area
	R 703	QRE141J-222Y	C RESISTOR	2.2K 5% 1/4W	
	R 704	QRE141J-222Y	C RESISTOR	2.2K 5% 1/4W	
	R 705	QRE141J-222Y	C RESISTOR	2.2K 5% 1/4W	
	R 707	QRE141J-102Y	C RESISTOR	1.0K 5% 1/4W	
	R 708	QRE141J-222Y	C RESISTOR	2.2K 5% 1/4W	
	R 709	QRE141J-222Y	C RESISTOR	2.2K 5% 1/4W	
	R 710	QRE141J-222Y	C RESISTOR	2.2K 5% 1/4W	
	R 712	QRE141J-222Y	C RESISTOR	2.2K 5% 1/4W	
	R 713	QRE141J-222Y	C RESISTOR	2.2K 5% 1/4W	
	R 714	QRE141J-222Y	C RESISTOR	2.2K 5% 1/4W	
	R 715	QRE141J-222Y	C RESISTOR	2.2K 5% 1/4W	
	R 716	QRE141J-222Y	C RESISTOR	2.2K 5% 1/4W	
	R 717	QRE141J-222Y	C RESISTOR	2.2K 5% 1/4W	
	R 718	QRE141J-222Y	C RESISTOR	2.2K 5% 1/4W	
	R 719	QRE141J-222Y	C RESISTOR	2.2K 5% 1/4W	
	R 720	QRE141J-222Y	C RESISTOR	2.2K 5% 1/4W	
	R 721	QRE141J-102Y	C RESISTOR	1.0K 5% 1/4W	
	R 722	QRE141J-221Y	C RESISTOR	220 5% 1/4W	
	R 723	QRE141J-221Y	C RESISTOR	220 5% 1/4W	
	R 724	QRE141J-221Y	C RESISTOR	220 5% 1/4W	
	R 725	QRE141J-222Y	C RESISTOR	2.2K 5% 1/4W	
	R 726	QRE141J-221Y	C RESISTOR	220 5% 1/4W	
	R 727	QRE141J-102Y	C RESISTOR	1.0K 5% 1/4W	
	R 728	QRE141J-222Y	C RESISTOR	2.2K 5% 1/4W	
	R 729	QRE141J-102Y	C RESISTOR	1.0K 5% 1/4W	
	R 730	QRE141J-103Y	C RESISTOR	10K 5% 1/4W	
	R 731	QRE141J-102Y	C RESISTOR	1.0K 5% 1/4W	
	R 732	QRE141J-222Y	C RESISTOR	2.2K 5% 1/4W	
	R 733	QRE141J-222Y	C RESISTOR	2.2K 5% 1/4W	
	R 736	QRE141J-222Y	C RESISTOR	2.2K 5% 1/4W	
	R 737	QRE141J-222Y	C RESISTOR	2.2K 5% 1/4W	
	R 738	QRE141J-224Y	C RESISTOR	220K 5% 1/4W	
	R 739	QRE141J-103Y	C RESISTOR	10K 5% 1/4W	
	R 740	QRE141J-224Y	C RESISTOR	220K 5% 1/4W	
	R 741	QRE141J-103Y	C RESISTOR	10K 5% 1/4W	
	R 742	QRE141J-224Y	C RESISTOR	220K 5% 1/4W	
	R 743	QRE141J-103Y	C RESISTOR	10K 5% 1/4W	
	R 744	QRE141J-103Y	C RESISTOR	10K 5% 1/4W	
	R 745	QRE141J-473Y	C RESISTOR	47K 5% 1/4W	
	R 747	QRE141J-102Y	C RESISTOR	1.0K 5% 1/4W	
	R 748	QRE141J-103Y	C RESISTOR	10K 5% 1/4W	
	R 750	QRE141J-103Y	C RESISTOR	10K 5% 1/4W	
	R 752	QRE141J-103Y	C RESISTOR	10K 5% 1/4W	
	R 753	QRE141J-222Y	C RESISTOR	2.2K 5% 1/4W	
	R 754	QRE141J-472Y	C RESISTOR	4.7K 5% 1/4W	
	R 755	QRE141J-104Y	C RESISTOR	100K 5% 1/4W	
	R 756	QRE141J-104Y	C RESISTOR	100K 5% 1/4W	
	R 757	QRE141J-103Y	C RESISTOR	10K 5% 1/4W	
	R 758	QRE141J-103Y	C RESISTOR	10K 5% 1/4W	
	R 761	QRE141J-103Y	C RESISTOR	10K 5% 1/4W	
	R 762	QRE141J-104Y	C RESISTOR	100K 5% 1/4W	
	R 763	QRE141J-102Y	C RESISTOR	1.0K 5% 1/4W	
	R 764	QRE141J-273Y	C RESISTOR	27K 5% 1/4W	
	R 765	QRE141J-331Y	C RESISTOR	330 5% 1/4W	
	R 766	QRE141J-102Y	C RESISTOR	1.0K 5% 1/4W	
	R 767	QRE141J-102Y	C RESISTOR	1.0K 5% 1/4W	
	R 768	QRE141J-222Y	C RESISTOR	2.2K 5% 1/4W	
	R 769	QRE141J-222Y	C RESISTOR	2.2K 5% 1/4W	
	R 770	QRE141J-223Y	C RESISTOR	22K 5% 1/4W	
	R 771	QRE141J-223Y	C RESISTOR	22K 5% 1/4W	
	R 772	QRE141J-103Y	C RESISTOR	10K 5% 1/4W	
	R 773	QRE141J-103Y	C RESISTOR	10K 5% 1/4W	
	R 774	QRE141J-472Y	C RESISTOR	4.7K 5% 1/4W	

△	Item	Parts number	Parts name	Remarks	Area
	R 775	QRE141J-331Y	C RESISTOR	330 5% 1/4W	
	R 776	QRE141J-103Y	C RESISTOR	10K 5% 1/4W	
	R 777	QRE141J-102Y	C RESISTOR	1.0K 5% 1/4W	
	R 778	QRE141J-224Y	C RESISTOR	220K 5% 1/4W	
	R 779	QRE141J-105Y	C RESISTOR	1.0M 5% 1/4W	
	R 780	QRE141J-472Y	C RESISTOR	4.7K 5% 1/4W	
	R 781	QRE141J-822Y	C RESISTOR	8.2K 5% 1/4W	
	R 782	QRE141J-822Y	C RESISTOR	8.2K 5% 1/4W	
	R 783	QRE141J-472Y	C RESISTOR	4.7K 5% 1/4W	
	R 784	QRE141J-222Y	C RESISTOR	2.2K 5% 1/4W	
	R 785	QRE141J-103Y	C RESISTOR	10K 5% 1/4W	
	R 786	QRE141J-103Y	C RESISTOR	10K 5% 1/4W	
	R 787	QRE141J-103Y	C RESISTOR	10K 5% 1/4W	
	R 788	QRE141J-222Y	C RESISTOR	2.2K 5% 1/4W	
	R 791	QRE141J-102Y	C RESISTOR	1.0K 5% 1/4W	
	R 792	QRE141J-102Y	C RESISTOR	1.0K 5% 1/4W	
	R 793	QRE141J-102Y	C RESISTOR	1.0K 5% 1/4W	
	R 794	QRE141J-222Y	C RESISTOR	2.2K 5% 1/4W	
	R 795	QRE141J-152Y	C RESISTOR	1.5K 5% 1/4W	
	R 796	QRE141J-222Y	C RESISTOR	2.2K 5% 1/4W	
	R 799	QRE141J-301Y	C RESISTOR	300 5% 1/4W	
	R 800	QRE141J-103Y	C RESISTOR	10K 5% 1/4W	
	R 802	QRE141J-472Y	C RESISTOR	4.7K 5% 1/4W	
	R 803	QRE141J-473Y	C RESISTOR	47K 5% 1/4W	
	R 804	QRE141J-823Y	C RESISTOR	82K 5% 1/4W	
	R 805	QRE141J-823Y	C RESISTOR	82K 5% 1/4W	
	R 806	QRE141J-394Y	C RESISTOR	390K 5% 1/4W	
	R 807	QRE141J-394Y	C RESISTOR	390K 5% 1/4W	
	R 808	QRE141J-104Y	C RESISTOR	100K 5% 1/4W	
	R 809	QRE141J-104Y	C RESISTOR	100K 5% 1/4W	
	R 840	QRE141J-472Y	C RESISTOR	4.7K 5% 1/4W	
	R 841	QRE141J-472Y	C RESISTOR	4.7K 5% 1/4W	
	R 864	QRE141J-103Y	C RESISTOR	10K 5% 1/4W	
	R 865	QRE141J-123Y	C RESISTOR	12K 5% 1/4W	
	R 867	QRE141J-103Y	C RESISTOR	10K 5% 1/4W	
	R 868	QRE141J-472Y	C RESISTOR	4.7K 5% 1/4W	
	R 869	QRE141J-472Y	C RESISTOR	4.7K 5% 1/4W	
	R 870	QRE141J-154Y	C RESISTOR	560K 5% 1/4W	
	R 873	QRE141J-101Y	C RESISTOR	100 5% 1/4W	
	R 874	QRE141J-103Y	C RESISTOR	10K 5% 1/4W	
	R 875	QRE141J-473Y	C RESISTOR	47K 5% 1/4W	
	R 876	QRE141J-221Y	C RESISTOR	220 5% 1/4W	
	R 877	QRE141J-392Y	C RESISTOR	3.9K 5% 1/4W	
	R 878	QRE141J-222Y	C RESISTOR	2.2K 5% 1/4W	
	RA700	QRB139J-224	NET RESISTOR	220K 5% 1/3W	
	RA701	QRB149J-224	R.NETWORK	220K 5% 1/4W	
	S 400	QSW0674-001Z	TACT SW		
	S 401	QSW0674-001Z	TACT SW		
	S 402	QSW0674-001Z	TACT SW		
	S 403	QSW0674-001Z	TACT SW		
	S 404	QSW0674-001Z	TACT SW		
	S 405	QSW0674-001Z	TACT SW		
	S 406	QSW0674-001Z	TACT SW		
	S 407	QSW0674-001Z	TACT SW		
	S 408	QSW0674-001Z	TACT SW		
	S 409	QSW0674-001Z	TACT SW		
	S 415	QSW0674-001Z	TACT SW		
	S 422	QSW0674-001Z	TACT SW		
	S 423	QSW0674-001Z	TACT SW		
	S 424	QSW0674-001Z	TACT SW		
	S 425	QSW0674-001Z	TACT SW		
	S 426	QSW0674-001Z	TACT SW		
	S 700	QSW0674-001Z	TACT SW		

■ Electrical parts list (System control & Switch board) Block No. 03

△	Item	Parts number	Parts name	Remarks	Area
	S 701	QSW0674-001Z	TACT SW		
	S 702	QSW0674-001Z	TACT SW		
	S 703	QSW0674-001Z	TACT SW		
	S 704	QSW0674-001Z	TACT SW		
	S 705	QSW0674-001Z	TACT SW		
	S 706	QSW0674-001Z	TACT SW		
	S 707	QSW0674-001Z	TACT SW		
	S 708	QSW0674-001Z	TACT SW		
	S 709	QSW0674-001Z	TACT SW		
	S 710	QSW0674-001Z	TACT SW		
	S 711	QSW0674-001Z	TACT SW		
	S 712	QSW0674-001Z	TACT SW		
	S 713	QSW0674-001Z	TACT SW		
	SP701	VYH7653-001T	IC HOLDER		
	VR840	QVQ0045-B54	V RESISTOR	MIC VR	
	X 701	QAX0401-001	CRYSTAL		
	X 702	QAX0410-001Z	CERA LOCK		

■ Electrical parts list (DSP board)

Block No. 04

△	Item	Parts number	Parts name	Remarks	Area
	C 601	EETC1AM-107ZJC	E.CAPA. I.M		
	C 602	QDYB1CM-103Y	C.CAPACITOR		
	C 603	EETC1HM-105ZJC	E.CAPA. I.M		
	C 604	QFLM1HJ-472Z	M CAPACITOR	4700PF 5% 50V	
	C 605	QDGB1HK-102Y	C CAPACITOR		
	C 606	EETC1AM-476ZJC	E.CAPA. I.M		
	C 607	QDYB1CM-103Y	C.CAPACITOR		
	C 608	EETC1HM-105ZJC	E.CAPA. I.M		
	C 609	QFLM1HJ-222Z	M CAPACITOR	.010MF 5% 50V	
	C 610	QCBB1HK-331Y	C CAPACITOR	330PF 10% 50V	
	C 611	EETC1AM-107ZJC	E.CAPA. I.M		
	C 612	QDYB1CM-103Y	C.CAPACITOR		
	C 613	QFLM1HJ-222Z	M CAPACITOR	2200PF 5% 50V	
	C 614	EETC1HM-105ZJC	E.CAPA. I.M		
	C 615	QCBB1HK-331Y	C CAPACITOR	330PF 10% 50V	
	C 616	EETC1HM-105ZJC	E.CAPA. I.M		
	C 617	EETC1HM-105ZJC	E.CAPA. I.M		
	C 618	QDYB1CM-103Y	C.CAPACITOR		
	C 619	EETC1AM-107ZJC	E.CAPA. I.M		
	C 620	QDYB1CM-103Y	C.CAPACITOR		
	C 621	QCZ0205-155Z	ML C CAPA I/M	1.5MF	
	C 622	EETC1AM-107ZJC	E.CAPA. I.M		
	C 623	EETC1AM-107ZJC	E.CAPA. I.M		
	C 624	QDYB1CM-103Y	C.CAPACITOR		
	C 625	QCS31HJ-6R0Z	C CAPACITOR	6.0PF 5% 50V	
	C 626	QCS31HJ-6R0Z	C CAPACITOR	6.0PF 5% 50V	
	C 628	EETC1AM-107ZJC	E.CAPA. I.M		
	C 629	QETN0JM-227Z	E CAPACITOR	220MF 20% 6.3V	
	C 630	QDYB1CM-103Y	C.CAPACITOR		
	C 631	QCZ0205-155Z	ML C CAPA I/M	1.5MF	
	C 632	QCFB1HZ-104Y	C CAPACITOR	.10MF +80:-20%	
	C 633	QCBB1HK-561Y	C CAPACITOR	560PF 10% 50V	
	C 634	QCBB1HK-561Y	C CAPACITOR	560PF 10% 50V	
	C 637	QDYB1CM-103Y	C.CAPACITOR		
	C 638	EETC1AM-107ZJC	E.CAPA. I.M		
	C 639	QDGB1HK-102Y	C CAPACITOR		
	CN601	QGB2510K2-07	CONNECTOR		
	CN602	QGB2510K2-07	CONNECTOR		
	D 604	RB721Q-T2	S.B.DIODE		
	D 605	RB721Q-T2	S.B.DIODE		
	D 951	1SS133-T2	SI DIODE IM		
	IC601	TC9409BF-000	IC		
	L 601	QQL231K-220Y	INDUCTOR		
	L 603	QQR0601-001Z	FERRITE BEADS		
	L 604	QQR0601-001Z	FERRITE BEADS		
	L 605	QQR0601-001Z	FERRITE BEADS		
	LC091	QQR1093-008Z	EMI FILTER		
	Q 951	KTA1267/YG/-T	TRANSISTOR		
	Q 952	DTC114ESA-T	DIGITAL.TR TAPE		
	R 601	QRE141J-102Y	C RESISTOR	1.0K 5% 1/4W	
	R 602	QRE141J-102Y	C RESISTOR	1.0K 5% 1/4W	
	R 603	QRE141J-103Y	C RESISTOR	10K 5% 1/4W	
	R 604	QRE141J-103Y	C RESISTOR	10K 5% 1/4W	
	R 605	QRE141J-103Y	C RESISTOR	10K 5% 1/4W	
	R 606	QRE141J-103Y	C RESISTOR	10K 5% 1/4W	
	R 607	QRE141J-103Y	C RESISTOR	10K 5% 1/4W	
	R 608	QRE141J-103Y	C RESISTOR	10K 5% 1/4W	
	R 609	QRE141J-103Y	C RESISTOR	10K 5% 1/4W	
	R 610	QRE141J-103Y	C RESISTOR	10K 5% 1/4W	
	R 611	QRE141J-103Y	C RESISTOR	10K 5% 1/4W	
	R 612	QRE141J-473Y	C RESISTOR	47K 5% 1/4W	
	R 613	QRE141J-473Y	C RESISTOR	47K 5% 1/4W	
	R 614	QRE141J-100Y	C RESISTOR	10 5% 1/4W	

△	Item	Parts number	Parts name	Remarks	Area
	R 615	QRE141J-100Y	C RESISTOR	10 5% 1/4W	
	R 616	QRE141J-2R7Y	C RESISTOR	2.7 5% 1/4W	
	R 617	QRE141J-222Y	C RESISTOR	2.2K 5% 1/4W	
	R 618	QRE141J-222Y	C RESISTOR	2.2K 5% 1/4W	
	R 619	QRE141J-222Y	C RESISTOR	2.2K 5% 1/4W	
	R 620	QRE141J-222Y	C RESISTOR	2.2K 5% 1/4W	
	R 621	QRE141J-100Y	C RESISTOR	10 5% 1/4W	
	R 622	QRE141J-223Y	C RESISTOR	22K 5% 1/4W	
	R 951	QRE141J-472Y	C RESISTOR	4.7K 5% 1/4W	
	R 952	QRE141J-103Y	C RESISTOR	10K 5% 1/4W	
	R 953	QRE141J-101Y	C RESISTOR	100 5% 1/4W	
	R 954	QRE141J-104Y	C RESISTOR	100K 5% 1/4W	
	R 955	QRE141J-104Y	C RESISTOR	100K 5% 1/4W	
	SP081	VYH7653-003	IC HOLDER		
	X 601	QAX0264-001Z	CRYSTAL		

■ Electrical parts list (Video CD board)

Block No. 05

△	Item	Parts number	Parts name	Remarks	Area	△	Item	Parts number	Parts name	Remarks	Area
	C 101	NCF31EZ-104X	C CAPACITOR				R 115	NRSA63J-0R0X	MG RESISTOR		
	C 102	NCF31EZ-104X	C CAPACITOR				R 121	NRSA63J-102X	MG RESISTOR		
	C 103	NCF31EZ-104X	C CAPACITOR				R 122	NRSA63J-102X	MG RESISTOR		
	C 105	NCF31EZ-104X	C CAPACITOR				R 123	NRSA63J-102X	MG RESISTOR		
	C 106	NCF31EZ-104X	C CAPACITOR				R 124	NRSA63J-102X	MG RESISTOR		
	C 107	NCF31EZ-104X	C CAPACITOR				R 125	NRSA63J-102X	MG RESISTOR		
	C 110	NCF31EZ-104X	C CAPACITOR				R 135	NRSA63J-121X	MG RESISTOR		
	C 112	NCF31EZ-104X	C CAPACITOR				R 141	NRSA63J-750X	MG RESISTOR		
	C 113	NCF31EZ-104X	C CAPACITOR				R 142	NRSA63J-562X	MG RESISTOR		
	C 115	NCF31EZ-104X	C CAPACITOR				R 147	NRSA63J-471X	MG RESISTOR		
	C 116	NCF31EZ-104X	C CAPACITOR				R 148	NRSA63J-152X	MG RESISTOR		
	C 122	NCS31HJ-150X	C CAPACITOR				R 149	NRSA63J-152X	MG RESISTOR		
	C 124	NCF31EZ-104X	C CAPACITOR				R 150	NRSA63J-0R0X	MG RESISTOR		
	C 125	NCF31EZ-104X	C CAPACITOR				R 155	NRSA63J-271X	MG RESISTOR		
	C 126	NEA20JM-226NZ	E CAPACITOR				R 156	NRSA63J-391X	MG RESISTOR		
	C 127	NCF31EZ-104X	C CAPACITOR				R 157	NRSA63J-0R0X	MG RESISTOR		
	C 128	NEA20GM-476NZ	E CAPACITOR				R 191	NRSA63J-820X	MG RESISTOR		
	C 131	NCF31EZ-104X	C CAPACITOR				R 192	NRSA63J-820X	MG RESISTOR		
	C 133	NCF31EZ-104X	C CAPACITOR				R 193	NRSA63J-820X	MG RESISTOR		
	C 134	NCF31EZ-104X	C CAPACITOR				R 194	NRSA63J-750X	MG RESISTOR		
	C 135	NCF31EZ-104X	C CAPACITOR				TC101	NAT3111-200X	TRIM.CAPA.I.M		
	C 136	NCB31HK-272X	C CAPACITOR				X 101	NAX0150-001X	CRYSTAL		
	C 141	NCB31HK-472X	C CAPACITOR								
	C 143	NCB31HK-182X	C CAPACITOR								
	C 144	NCB31HK-182X	C CAPACITOR								
	C 151	NCF31EZ-104X	C CAPACITOR								
	C 152	NEA20JM-226NZ	E CAPACITOR								
	C 154	NEA20JM-226NZ	E CAPACITOR								
	C 156	NEA20JM-226NZ	E CAPACITOR								
	C 157	NEA20JM-226NZ	E CAPACITOR								
	C 159	NCB31HK-102X	C CAPACITOR								
	C 168	NCS31HJ-471X	C CAPACITOR								
	C 170	NCS31HJ-471X	C CAPACITOR								
	C 181	NCF31EZ-104X	C CAPACITOR								
	CN101	QGF1016F2-15W	CONNECTOR C.M								
	CN102	QGA2001F2-12X	CONNECTOR C.M								
	CN103	QGA2001F2-06X	CONNECTOR C.M								
	D 141	UDZS4.7B-X	Z.DIODE C.M X								
	D 142	1SS355-X	DIODE C.M								
	IC101	CL480-F1	IC								
	IC103	UPD424260LE70-X	I.C(D-RAM)								
	IC104	BU1424K	IC								
	IC105	BU2173F-X	IC								
	IC106	UPD6461GS-635-X	IC								
	IC107	PQ20VZ11-X	IC								
	IC108	TC7SH04FU-X	IC C.M								
	IC111	MN171601AK8J2	IC								
	IC112	A625308M-70S-X	IC C.M								
	IC113	HD74HCT244FP-XE	IC C.M								
	IC114	HD74HCT245FP-XE	IC								
	K 101	NQR0227-004X	FERRITE BEADS								
	K 103	NQR0227-004X	FERRITE BEADS								
	L 102	NQL012K-2R7X	INDUCTOR								
	Q 101	DTA114EKA-X	DIGITAL.TRANSIS								
	Q 141	2SC2412K/RS/-X	CHIP TR.C.M								
	R 102	NRSA63J-473X	MG RESISTOR								
	R 103	NRSA63J-103X	MG RESISTOR								
	R 104	NRSA63J-105X	MG RESISTOR								
	R 107	NRSA63J-122X	MG RESISTOR								
	R 109	NRSA63J-750X	MG RESISTOR								
	R 111	NRSA63J-182X	MG RESISTOR								
	R 112	NRSA63J-112X	MG RESISTOR								
	R 113	NRSA63J-102X	MG RESISTOR								

■ Electrical parts list (CD servo control board) Block No. 06

△	Item	Parts number	Parts name	Remarks	Area	△	Item	Parts number	Parts name	Remarks	Area
	C 251	NCS21HJ-100X	C CAPACITOR	X1			CN653	QGF1016F1-13	CONN.TERMINAL	CD TEXT	
	C 252	NCS21HJ-100X	C CAPACITOR	X2			CN801	QGA2001C1-03	CONNECTOR	TRAVERSE	
	C 253	NCB21EK-104X	C CAPACITOR	VDD-VSS			CN851	QGD2503F1-03	CONN.TERMINAL	DISC DETECTION	
	C 254	QERF1AM-476Z	AL E.CAPACITOR	VDD-VSS			CN854	QGB2016K1-07	CONN.TERMINAL	TRAY SWITCH	
	C 255	NCB21EK-104X	C CAPACITOR				CN855	QGB2012K2-10	CONNECTOR	CAM SWITCH	
	C 281	NCB21HK-223X	C CAPACITOR	/RST CD LSI			IC251	UPD780055GC011	IC	MICOM	
	C 291	QERF1AM-476Z	AL E.CAPACITOR	47MF 20% 10V			IC601	AN8806SB-W	IC	RF AMP	
	C 601	NCB21HK-102X	C CAPACITOR	PU E			IC651	MN35510AL	IC	DSP & DAC	
	C 602	NCB21HK-102X	C CAPACITOR	PU F			IC801	BA6897FP-W	IC	PU DRIVE	
	C 603	NCB21HK-223X	C CAPACITOR	TBAL			IC851	TA8409S	I.C(MONO-ANA)		
	C 604	NCB21HK-223X	C CAPACITOR	FBAL			IC852	TA8409S	I.C(MONO-ANA)		
	C 605	NCS21HJ-271X	C CAPACITOR	FE			L851	QQL244K-100Z	PEAKING COIL		
	C 606	NCS21HJ-181X	C CAPACITOR	TE(OPT-7)			L853	QQL244K-100Z	PEAKING COIL		
	C 607	NCB21HK-222X	C CAPACITOR	TEBPF			L854	QQL244K-100Z	PEAKING COIL		
	C 608	NCB21HK-223X	C CAPACITOR	TEBPF			Q 291	2SB1357/EF/-T	SI.TRANSISTOR		
	C 610	NCB21EK-104X	C CAPACITOR	ENV			Q 631	2SA1037AK/RS/-X	TRANSISTOR	APC	
	C 611	NCB21EK-104X	C CAPACITOR	RF			Q 842	DTA144ESA-T	DIGITAL.TR		
	C 612	QERF1HM-105Z	E CAPACITOT	ENV			R 251	NRSA02J-102X	MG RESISTOR	DEMPHO	
	C 613	NCS21HJ-101X	C CAPACITOR	CENV			R 252	NRSA02J-102X	MG RESISTOR	/OSOFF	
	C 614	NCB21HK-273X	C CAPACITOR	CEA			R 253	NRSA02J-102X	MG RESISTOR	MCS	
	C 615	NCB21HK-472X	C CAPACITOR	CSBDO			R 254	NRSA02J-102X	MG RESISTOR	MRDY	
	C 616	NCB21HK-103X	C CAPACITOR	CSBRT			R 255	NRSA02J-102X	MG RESISTOR	KCMND	
	C 617	NCS21HJ-331X	C CAPACITOR	OFT			R 256	NRSA02J-102X	MG RESISTOR	MSTAT	
	C 621	NCB21EK-104X	C CAPACITOR	VREF-D.GND			R 257	NRSA02J-102X	MG RESISTOR	KCLK	
	C 623	NCF21CZ-105X	C CAPACITOR	VCC-D.GND			R 258	NRSA02J-102X	MG RESISTOR	MREQ	
	C 624	QERF1AM-107Z	E CAPACITOR	VCC-D.GND			R 259	NRSA02J-101X	MG RESISTOR	VCDEMP	
	C 631	QERF1CM-106Z	E CAPACITOR	APC +5V-BASE			R 260	NRSA02J-102X	MG RESISTOR	SRDATA	
	C 632	NCF21CZ-105X	C CAPACITOR	APC +5V-D.GND			R 261	NRSA02J-102X	MG RESISTOR	SRCLK	
	C 633	NCB21HK-223X	C CAPACITOR	PU K-VREF			R 265	NRSA02J-223X	MG RESISTOR	/VCDRST PULL-UP	
	C 651	NCS21HJ-120X	C CAPACITOR	X1			R 274	NRSA02J-102X	MG RESISTOR	HREQ	
	C 652	NCS21HJ-150X	C CAPACITOR	X2			R 275	NRSA02J-102X	MG RESISTOR	HRDY	
	C 653	NCB21EK-104X	C CAPACITOR	VDD-VSS			R 276	NRSA02J-102X	MG RESISTOR	DABCK	
	C 654	NCB21HK-223X	C CAPACITOR	AVDD1-AVSS1			R 277	NRSA02J-102X	MG RESISTOR	DALRCK	
	C 656	NCB21EK-104X	C CAPACITOR	D.GND-A.GND			R 278	NRSA02J-102X	MG RESISTOR	DADATA	
	C 657	NCB21HK-222X	C CAPACITOR	OUTL			R 279	NRSA02J-102X	MG RESISTOR	IOSEL	
	C 658	NCB21HK-222X	C CAPACITOR	OUTR			R 281	NRSA02J-102X	MG RESISTOR	/RST CD LSI	
	C 661	NCB21EK-104X	C CAPACITOR	AVDD2-AVSS2			R 282	NRSA02J-102X	MG RESISTOR	/VCDRST	
	C 662	QERF1AM-107Z	E CAPACITOR	AVDD2-AVSS2			R 283	NRSA02J-102X	MG RESISTOR	/RST OTHER	
	C 663	NCB21EK-104X	C CAPACITOR	PLLF			R 284	NRSA02J-102X	MG RESISTOR	/RESET MICOM	
	C 664	NCB21HK-223X	C CAPACITOR	IREF			R 285	NRSA02J-102X	MG RESISTOR	OSCLK	
	C 665	NCB21HK-223X	C CAPACITOR	DSLIF			R 286	NRSA02J-102X	MG RESISTOR	/OSCS	
	C 666	NCS21HJ-471X	C CAPACITOR	ARF			R 287	NRSA02J-102X	MG RESISTOR	OSDATA	
	C 667	NCF21CZ-105X	C CAPACITOR	VCOF			R 291	NRSA02J-122X	MG RESISTOR	/P.ON	
	C 668	NCB21HK-473X	C CAPACITOR	VCOF			R 292	NRSA02J-103X	MG RESISTOR	BASE-EMITTER	
	C 671	NCB21EK-104X	C CAPACITOR	DVDD1-DVSS1			R 293	NRSA02J-102X	MG RESISTOR	P.ON	
	C 672	QERF1AM-107Z	E CAPACITOR	100MF 20% 10V			R 601	NRSA02J-274X	MG RESISTOR	TBAL	
	C 801	NCB21HK-822X	C CAPACITOR	FOD(OPT-7)			R 602	NRSA02J-154X	MG RESISTOR	FBAL	
	C 802	NCB21HK-152X	C CAPACITOR	TRD(OPT-7)			R 603	NRSA02J-273X	MG RESISTOR	FE	
	C 811	NCS21HJ-221X	C CAPACITOR	FOCUS			R 604	NRSA02J-104X	MG RESISTOR	TE(OPT-7)	
	C 812	NCS21HJ-221X	C CAPACITOR	SPINDLE			R 605	NRSA02J-154X	MG RESISTOR	TEBPF	
	C 813	NCS21HJ-221X	C CAPACITOR	FEED			R 606	NRSA02J-474X	MG RESISTOR	TEBPF	
	C 814	NCS21HJ-221X	C CAPACITOR	TRACKING			R 607	NRSA02J-102X	MG RESISTOR	TE(OPT-7)	
	C 821	NCF21CZ-105X	C CAPACITOR	VCC-M.GND			R 611	NRSA02J-113X	MG RESISTOR	RF(OPT-7)	
	C 851	QERF1CM-106Z	AL E.CAPACITOR	LM VCC-M.GND			R 612	NRSA02J-125X	MG RESISTOR	CSBRT	
	C 852	QERF1CM-106Z	AL E.CAPACITOR	LM VCC-M.GND			R 631	NRSA02J-2R2X	MG RESISTOR	+5V DE-COUPLE	
	C 855	NCB21EK-104X	C CAPACITOR	VCC-M.GND			R 632	NRSA02J-100X	MG RESISTOR	APC EMITTER	
	C 859	NCF21CZ-105X	C CAPACITOR	L MOTOR			R 634	NRSA02J-120X	MG RESISTOR	APC COLECTOR	
	C 860	NCF21CZ-105X	C CAPACITOR	R MOTOR			R 635	NRSA02J-121X	MG RESISTOR	PU K	
	CN151	QGF1016F1-15	15FFC CONNECTOR	VIDEO CD			R 636	NRSA02J-910X	MG RESISTOR	PU LD	
	CN152	QGA2001F1-12	12P CN RIGR	VIDEO CD			R 651	NRSA02J-271X	MG RESISTOR	X2	
	CN601	QGE1016F1-15	15FFC CONNECTOR	TRAVERSE			R 652	NRSA02J-220X	MG RESISTOR	AVDD1 DE-COUPLE	
	CN651	QGF1016F1-19	CONNECTOR	MAIN			R 657	NRSA02J-102X	MG RESISTOR	OUTL	
	CN652	QGF1016F1-05	CONN.TERMINAL	OSD			R 658	NRSA02J-102X	MG RESISTOR	OUTR	

■ Electrical parts list (CD servo control board) Block No. 06

△	Item	Parts number	Parts name	Remarks	Area
	R 661	NRSA02J-220X	MG RESISTOR	AVDD2 DE-COUPLE	
	R 662	NRSA02J-471X	MG RESISTOR	PLLF	
	R 663	NRSA02J-124X	MG RESISTOR	IREF	
	R 665	NRSA02J-683X	MG RESISTOR	ARF	
	R 666	NRSA02J-155X	MG RESISTOR		
	R 667	NRSA02J-562X	MG RESISTOR	VCOF	
	R 671	NRSA02J-102X	MG RESISTOR	CDBCK	
	R 672	NRSA02J-102X	MG RESISTOR	CDLRCK	
	R 673	NRSA02J-102X	MG RESISTOR	CDDATA	
	R 674	NRSA02J-101X	MG RESISTOR	TX	
	R 675	NRSA02J-102X	MG RESISTOR	MCLK	
	R 676	NRSA02J-102X	MG RESISTOR	MDATA	
	R 677	NRSA02J-102X	MG RESISTOR	MLD	
	R 678	NRSA02J-102X	MG RESISTOR	BLKCK	
	R 679	NRSA02J-102X	MG RESISTOR	SQCK	
	R 680	NRSA02J-102X	MG RESISTOR	SUBQ	
	R 681	NRSA02J-102X	MG RESISTOR	DMUTE	
	R 682	NRSA02J-102X	MG RESISTOR	STAT	
	R 683	NRSA02J-102X	MG RESISTOR	LDON	
	R 684	NRSA02J-271X	MG RESISTOR	XCLK	
	R 685	NRSA02J-102X	MG RESISTOR	SUBC	
	R 686	NRSA02J-101X	MG RESISTOR	SBCK	
	R 687	NRSA02J-102X	MG RESISTOR	/CLDCK	
	R 688	NRSA02J-101X	MG RESISTOR	IPFLAG	
	R 689	NRSA02J-102X	MG RESISTOR	DEMPH	
	R 690	NRSA02J-101X	MG RESISTOR	DADATA	
	R 691	NRSA02J-101X	MG RESISTOR	DALRCK	
	R 692	NRSA02J-101X	MG RESISTOR	DABCK	
	R 693	NRSA02J-471X	MG RESISTOR	XCLK2	
	R 694	NRSA02J-102X	MG RESISTOR	XCLK	
	R 801	NRSA02J-222X	MG RESISTOR	FOD(OPT-7)	
	R 802	NRSA02J-472X	MG RESISTOR	FOD	
	R 803	NRSA02J-123X	MG RESISTOR	TRD(OPT-7)	
	R 804	NRSA02J-154X	MG RESISTOR	KICK(OPT-7)	
	R 805	NRSA02J-123X	MG RESISTOR	TVD	
	R 806	NRSA02J-223X	MG RESISTOR	TRV	
	R 807	NRSA02J-222X	MG RESISTOR	ECS	
	R 808	NRSA02J-223X	MG RESISTOR	ECM	
	R 811	NRSA02J-473X	MG RESISTOR	/DRMUTE	
	R 812	NRSA02J-223X	MG RESISTOR		
	R 831	NRSA02J-151X	MG RESISTOR	/REST	
	R 832	NRSA02J-103X	MG RESISTOR	/REST PULL-UP	
	R 842	NRSA02J-472X	MG RESISTOR	/DISC	
	R 851	NRSA02J-102X	MG RESISTOR	LMUP	
	R 852	NRSA02J-102X	MG RESISTOR	RMUP	
	R 853	NRSA02J-102X	MG RESISTOR	LMDOWN	
	R 854	NRSA02J-102X	MG RESISTOR	RMDOWN	
	R 855	NRSA02J-102X	MG RESISTOR	LM VCC-VREF	
	R 856	NRSA02J-102X	MG RESISTOR	RM VCC-VREF	
	R 857	NRSA02J-272X	MG RESISTOR		
	R 859	NRSA02J-181X	MG RESISTOR	VCC DE-COUPLE	
	R 861	NRSA02J-102X	MG RESISTOR	1SSW	
	R 862	NRSA02J-102X	MG RESISTOR	2SSW	
	R 863	NRSA02J-102X	MG RESISTOR	3SSW	
	R 864	NRSA02J-102X	MG RESISTOR	1MSW	
	R 865	NRSA02J-102X	MG RESISTOR	2MSW	
	R 866	NRSA02J-102X	MG RESISTOR	3MSW	
	R 880	NRSA02J-102X	MG RESISTOR	CAM0	
	R 881	NRSA02J-102X	MG RESISTOR	CAM1	
	R 882	NRSA02J-102X	MG RESISTOR	CAM2	
	R 883	NRSA02J-102X	MG RESISTOR	CAM3	
	R 884	NRSA02J-102X	MG RESISTOR	CAM4	
	R 885	NRSA02J-102X	MG RESISTOR	CAM5	

△	Item	Parts number	Parts name	Remarks	Area
	R 886	NRSA02J-102X	MG RESISTOR	CAM6	
	R 887	NRSA02J-102X	MG RESISTOR	CAM7	
	X 251	QAX0360-001Z	CRYSTAL		
	X 651	QAX0413-001Z	CRYSTAL	FOR IC651	

■ Electrical parts list (CD changer mechanism switch board) Block No. 07

△	Item	Parts number	Parts name	Remarks	Area
	CN804	QGB2016J1-07	CONNECTOR		
	CN805	QGB2012J1-10	CONNECTOR		
	SW 1	QSW0859-001	DETECT SWITCH		
	SW 2	QSW0859-001	DETECT SWITCH		
	SW 3	QSW0859-001	DETECT SWITCH		
	SW 4	QSW0859-001	DETECT SWITCH		
	SW 5	QSW0859-001	DETECT SWITCH		
	SW 6	QSW0859-001	DETECT SWITCH		

■ Electrical parts list (Cassette mechanism switch board) Block No. 08

△	Item	Parts number	Parts name	Remarks	Area	△	Item	Parts number	Parts name	Remarks	Area
	C 101	NCS21HJ-561X	C CAPACITOR				C 339	QEKJ1CM-476Z	E CAPACITOR	47MF 20% 16V	
	C 102	NCS21HJ-331X	C CAPACITOR				C 340	NCB21HK-103X	C CAPACITOR		
	C 103	NCS21HJ-561X	C CAPACITOR				C 341	QEKJ1AM-107Z	E CAPACITOR	100MF 20% 10V	
	C 104	NCS21HJ-221X	C CAPACITOR				C 342	QEKJ1EM-475Z	E CAPACITOR	4.7MF 20% 25V	
	C 105	QEKJ0JM-227Z	E CAPACITOR	220MF 20% 6.3V			C 343	QETC1CM-106Z	E CAPACITOR	10MF 20% 16V	
	C 106	NCB21HK-333X	C CAPACITOR				C 344	NCB21HK-472X	C CAPACITOR		
	C 107	QEKJ1EM-475Z	E CAPACITOR	4.7MF 20% 25V			C 345	NCS21HJ-331X	C CAPACITOR		
	C 108	NCB21HK-393X	C CAPACITOR				C 350	QFLM1HJ-102Z	M CAPACITOR	1000PF 5% 50V	
	C 110	NCS21HJ-221X	C CAPACITOR				CN301	QGF1205F1-06	CONNECTOR		
	C 111	QEKJ1HM-104Z	E CAPACITOR	0.1MF 20% 50V			CN302	QGF1205F1-06	CONNECTOR		
	C 112	QEKJ1CM-106Z	E CAPACITOR	10MF 20% 16V			CN303	QGB2011M1-10	B TO B CONNECTO		
	C 113	NCB21HK-332X	C CAPACITOR				CN304	QGB2011M1-10	B TO B CONNECTO		
	C 114	QEKJ1EM-475Z	E CAPACITOR	4.7MF 20% 25V			CN305	QGF1205F1-10	CONNECTOR		
	C 115	NCB21HK-153X	C CAPACITOR				CN306	QGF1205F1-11	CONNECTOR		
	C 116	NCB21HK-822X	C CAPACITOR				D 307	HZM5.1NB2-X	CHIP Z DIODE CM		
	C 117	NCB21HK-223X	C CAPACITOR				D 308	HZM5.1NB2-X	CHIP Z DIODE CM		
	C 119	NCB21HK-563X	C CAPACITOR				D 309	MA704A-X	S.K.DIODE		
	C 120	NCS21HJ-330X	C CAPACITOR				IC301	BA3126N	IC		
	C 201	NCS21HJ-561X	C CAPACITOR				IC302	AN7345K	IC		
	C 202	NCS21HJ-331X	C CAPACITOR				IC303	BU4094BCF-X	IC		
	C 203	NCS21HJ-561X	C CAPACITOR				IC304	BU4094BCF-X	IC		
	C 204	NCS21HJ-221X	C CAPACITOR				L 202	QQR0779-001Z	INDUCTOR		
	C 205	QEKJ0JM-227Z	E CAPACITOR	220MF 20% 6.3V			L 301	QQR0620-001	OSC COIL(BIAS)		
	C 206	NCB21HK-333X	C CAPACITOR				L 303	QLL01BK-100Z	INDUCTOR		
	C 207	QEKJ1EM-475Z	E CAPACITOR	4.7MF 20% 25V			Q 102	DTC144TKA-X	TRANSISTOR		
	C 208	NCB21HK-393X	C CAPACITOR				Q 103	DTC144EKA-X	TRANSISTOR		
	C 210	NCS21HJ-221X	C CAPACITOR				Q 105	2SC3576-JVC-T	TRANSISTOR		
	C 211	QEKJ1HM-104Z	E CAPACITOR	0.1MF 20% 50V			Q 202	DTC144TKA-X	TRANSISTOR		
	C 212	QEKJ1CM-106Z	E CAPACITOR	10MF 20% 16V			Q 203	DTC144EKA-X	TRANSISTOR		
	C 213	NCB21HK-332X	C CAPACITOR				Q 205	2SC3576-JVC-T	TRANSISTOR		
	C 214	QEKJ1EM-475Z	E CAPACITOR	4.7MF 20% 25V			Q 302	2SC2001/K/-T	TRANSISTOR		
	C 215	NCB21HK-153X	C CAPACITOR				Q 303	2SC2001/K/-T	TRANSISTOR		
	C 216	NCB21HK-822X	C CAPACITOR				Q 304	2SC3576-JVC-T	TRANSISTOR		
	C 217	NCB21HK-223X	C CAPACITOR				Q 305	2SC3576-JVC-T	TRANSISTOR		
	C 219	NCB21HK-563X	C CAPACITOR				Q 306	2SC2412K/RS/-X	CHIP TRANSISTOR		
	C 220	NCS21HJ-330X	C CAPACITOR				Q 307	2SC2412K/RS/-X	CHIP TRANSISTOR		
	C 301	QEKJ1CM-106Z	E CAPACITOR	10MF 20% 16V			Q 308	2SC2412K/RS/-X	CHIP TRANSISTOR		
	C 302	QEKJ1CM-476Z	E CAPACITOR	47MF 20% 16V			Q 309	2SC2412K/RS/-X	CHIP TRANSISTOR		
	C 303	QEKJ1CM-226Z	E CAPACITOR	22MF 20% 16V			Q 312	2SB562/C/-T	TRANSISTOR		
	C 304	QEKJ1EM-475Z	E CAPACITOR	4.7MF 20% 25V			Q 313	2SC2412K/RS/-X	CHIP TRANSISTOR		
	C 305	NCB21HK-393X	C CAPACITOR				Q 314	2SB562/C/-T	TRANSISTOR		
	C 306	QEKJ0JM-227Z	E CAPACITOR	220MF 20% 6.3V			Q 315	2SC2412K/RS/-X	CHIP TRANSISTOR		
	C 308	NCB21HK-562X	C CAPACITOR				Q 316	2SA952/LK/-T	TRANSISTOR		
	C 309	NCB21HK-562X	C CAPACITOR				Q 317	DTC124EKA-X	TRANSISTOR		
	C 310	NCB21HK-223X	C CAPACITOR				Q 321	DTC144EKA-X	TRANSISTOR		
	C 311	NCB21HK-682X	C.CAPACITOR				Q 322	DTC144EKA-X	TRANSISTOR		
	C 313	QEKJ1AM-107Z	E CAPACITOR	100MF 20% 10V			Q 323	2SC2412K/RS/-X	CHIP TRANSISTOR		
	C 314	QCZ0205-155Z	ML C CAPACITOR	1.5MF			R 102	NRSA02J-102X	MG RESISTOR		
	C 315	QCZ0205-155Z	ML C CAPACITOR	1.5MF			R 103	NRSA02J-183X	MG RESISTOR		
	C 316	QFG32AJ-103Z	PP CAPACITOR	0.01MF 5% 100V			R 105	NRSA02J-220X	MG RESISTOR		
	C 318	NCB21HK-103X	C CAPACITOR				R 106	NRSA02J-392X	MG RESISTOR		
	C 319	QFG32AJ-821Z	PP CAPACITOR	820PF 5% 100V			R 107	NRSA02J-123X	MG RESISTOR		
	C 321	NCB21HK-103X	C CAPACITOR				R 108	NRSA02J-222X	MG RESISTOR		
	C 322	QFG32AJ-152Z	PP CAPACITOR	1500PF 5% 100V			R 109	NRSA02J-152X	MG RESISTOR		
	C 327	QEKJ1CM-476Z	E CAPACITOR	47MF 20% 16V			R 111	NRSA02J-562X	MG RESISTOR		
	C 328	NCS21HJ-151X	C CAPACITOR				R 112	NRSA02J-122X	MG RESISTOR		
	C 329	NCS21HJ-151X	C CAPACITOR				R 113	NRSA02J-271X	MG RESISTOR		
	C 330	NCS21HJ-151X	C CAPACITOR				R 114	NRSA02J-391X	MG RESISTOR		
	C 332	NCS21HJ-151X	C CAPACITOR				R 115	NRSA02J-332X	MG RESISTOR		
	C 335	NCB21HK-103X	C CAPACITOR				R 117	NRSA02J-332X	MG RESISTOR		
	C 336	NCB21HK-103X	C CAPACITOR				R 118	NRSA02J-152X	MG RESISTOR		
	C 337	NCB21HK-103X	C CAPACITOR				R 119	NRSA02J-203X	MG RESISTOR		
	C 338	NCB21HK-103X	C CAPACITOR				R 120	NRSA02J-102X	MG RESISTOR		

■ Electrical parts list (Cassette mechanism switch board) Block No. 08

△	Item	Parts number	Parts name	Remarks	Area	△	Item	Parts number	Parts name	Remarks	Area
	R 121	NRSA02J-122X	MG RESISTOR				R 364	NRSA02J-433X	MG RESISTOR		
	R 202	NRSA02J-102X	MG RESISTOR				R 365	NRSA02J-203X	MG RESISTOR		
	R 203	NRSA02J-183X	MG RESISTOR				R 366	NRSA02J-123X	MG RESISTOR		
	R 205	NRSA02J-220X	MG RESISTOR				R 367	NRSA02J-102X	MG RESISTOR		
	R 206	NRSA02J-392X	MG RESISTOR				R 368	NRSA02J-391X	MG RESISTOR		
	R 207	NRSA02J-123X	MG RESISTOR				R 369	NRSA02J-391X	MG RESISTOR		
	R 208	NRSA02J-222X	MG RESISTOR				R 371	NRS181J-222X	MG RESISTOR		
	R 209	NRSA02J-152X	MG RESISTOR				R 374	NRSA02J-912X	MG RESISTOR		
	R 211	NRSA02J-562X	MG RESISTOR				R 375	NRSA02J-683X	MG RESISTOR		
	R 212	NRSA02J-122X	MG RESISTOR				R 376	NRS181J-6R8X	MG RESISTOR		
	R 213	NRSA02J-271X	MG RESISTOR				VR101	QVP0008-503Z	SEMI.V.RESISTOR		
	R 214	NRSA02J-391X	MG RESISTOR				VR201	QVP0008-503Z	SEMI.V.RESISTOR		
	R 215	NRSA02J-332X	MG RESISTOR				VR301	QVP0008-103Z	SEMI.V.RESISTOR		
	R 217	NRSA02J-332X	MG RESISTOR				WIRE	EWR34D-10CS	FLAT WIRE		
	R 218	NRSA02J-152X	MG RESISTOR				C 101	NCS21HJ-561X	C CAPACITOR		
	R 219	NRSA02J-203X	MG RESISTOR				C 102	NCS21HJ-331X	C CAPACITOR		
	R 220	NRSA02J-102X	MG RESISTOR				C 103	NCS21HJ-561X	C CAPACITOR		
	R 221	NRSA02J-122X	MG RESISTOR				C 104	NCS21HJ-221X	C CAPACITOR		
	R 301	NRS181J-221X	MG RESISTOR				C 105	QEKJ0JM-227Z	E CAPACITOR	220MF 20% 6.3V	
	R 302	NRS181J-101X	MG RESISTOR				C 106	NCB21HK-333X	C CAPACITOR		
	R 304	NRSA02J-393X	MG RESISTOR				C 107	QEKJ1EM-475Z	E CAPACITOR	4.7MF 20% 25V	
	R 305	NRSA02J-103X	MG RESISTOR				C 108	NCB21HK-393X	C CAPACITOR		
	R 306	NRSA02J-103X	MG RESISTOR				C 110	NCS21HJ-221X	C CAPACITOR		
	R 307	NRSA02J-103X	MG RESISTOR				C 111	QEKJ1HM-104Z	E CAPACITOR	0.1MF 20% 50V	
	R 308	NRSA02J-152X	MG RESISTOR				C 112	QEKJ1CM-106Z	E CAPACITOR	10MF 20% 16V	
	R 309	NRSA02J-152X	MG RESISTOR				C 113	NCB21HK-332X	C CAPACITOR		
	R 310	NRS181J-820X	MG RESISTOR				C 114	QEKJ1EM-475Z	E CAPACITOR	4.7MF 20% 25V	
	R 311	NRS181J-820X	MG RESISTOR				C 115	NCB21HK-153X	C CAPACITOR		
	R 313	NRSA02J-3R3X	MG RESISTOR				C 116	NCB21HK-822X	C CAPACITOR		
	R 314	NRSA02J-223X	MG RESISTOR				C 117	NCB21HK-223X	C CAPACITOR		
	R 315	NRSA02J-100X	MG RESISTOR				C 119	NCB21HK-563X	C CAPACITOR		
	R 316	NRSA02J-223X	MG RESISTOR				C 120	NCS21HJ-330X	C CAPACITOR		
	R 317	NRSA02J-100X	MG RESISTOR				C 201	NCS21HJ-561X	C CAPACITOR		
	R 318	NRSA02J-123X	MG RESISTOR				C 202	NCS21HJ-331X	C CAPACITOR		
	R 319	NRSA02J-152X	MG RESISTOR				C 203	NCS21HJ-561X	C CAPACITOR		
	R 321	NRSA02J-123X	MG RESISTOR				C 204	NCS21HJ-221X	C CAPACITOR		
	R 322	NRSA02J-152X	MG RESISTOR				C 205	QEKJ0JM-227Z	E CAPACITOR	220MF 20% 6.3V	
	R 327	NRSA02J-474X	MG RESISTOR				C 206	NCB21HK-333X	C CAPACITOR		
	R 328	NRSA02J-222X	MG RESISTOR				C 207	QEKJ1EM-475Z	E CAPACITOR	4.7MF 20% 25V	
	R 329	NRSA02J-222X	MG RESISTOR				C 208	NCB21HK-393X	C CAPACITOR		
	R 330	NRSA02J-0R0X	MG RESISTOR				C 210	NCS21HJ-221X	C CAPACITOR		
	R 335	NRSA02J-222X	MG RESISTOR				C 211	QEKJ1HM-104Z	E CAPACITOR	0.1MF 20% 50V	
	R 336	NRSA02J-392X	MG RESISTOR				C 212	QEKJ1CM-106Z	E CAPACITOR	10MF 20% 16V	
	R 338	NRSA02J-222X	MG RESISTOR				C 213	NCB21HK-332X	C CAPACITOR		
	R 339	NRSA02J-222X	MG RESISTOR				C 214	QEKJ1EM-475Z	E CAPACITOR	4.7MF 20% 25V	
	R 341	NRSA02J-222X	MG RESISTOR				C 215	NCB21HK-153X	C CAPACITOR		
	R 343	NRSA02J-0R0X	MG RESISTOR				C 216	NCB21HK-822X	C CAPACITOR		
	R 345	NRSA02J-222X	MG RESISTOR				C 217	NCB21HK-223X	C CAPACITOR		
	R 346	NRSA02J-0R0X	MG RESISTOR				C 219	NCB21HK-563X	C CAPACITOR		
	R 347	NRSA02J-392X	MG RESISTOR				C 220	NCS21HJ-330X	C CAPACITOR		
	R 348	NRSA02J-222X	MG RESISTOR				C 301	QEKJ1CM-106Z	E CAPACITOR	10MF 20% 16V	
	R 350	NRSA02J-472X	MG RESISTOR				C 302	QEKJ1CM-476Z	E CAPACITOR	47MF 20% 16V	
	R 351	NRSA02J-151X	MG RESISTOR				C 303	QEKJ1CM-226Z	E CAPACITOR	22MF 20% 16V	
	R 353	NRSA02J-472X	MG RESISTOR				C 304	QEKJ1EM-475Z	E CAPACITOR	4.7MF 20% 25V	
	R 354	NRSA02J-151X	MG RESISTOR				C 305	NCB21HK-393X	C CAPACITOR		
	R 355	NRSA02J-332X	MG RESISTOR				C 306	QEKJ0JM-227Z	E CAPACITOR	220MF 20% 6.3V	
	R 357	NRSA02J-103X	MG RESISTOR				C 308	NCB21HK-562X	C CAPACITOR		
	R 358	NRSA02J-222X	MG RESISTOR				C 309	NCB21HK-562X	C CAPACITOR		
	R 359	NRSA02J-123X	MG RESISTOR				C 310	NCB21HK-223X	C CAPACITOR		
	R 360	NRSA02J-433X	MG RESISTOR				C 311	NCB21HK-682X	C CAPACITOR		
	R 361	NRSA02J-183X	MG RESISTOR				C 313	QEKJ1AM-107Z	E CAPACITOR	100MF 20% 10V	
	R 362	NRSA02J-123X	MG RESISTOR				C 314	QCZ0205-155Z	ML C CAPACITOR	1.5MF	
	R 363	NRSA02J-183X	MG RESISTOR				C 315	QCZ0205-155Z	ML C CAPACITOR	1.5MF	

■ Electrical parts list (Cassette mechanism switch board) Block No. 08

Item	Parts number	Parts name	Remarks	Area	Item	Parts number	Parts name	Remarks	Area
C 316	QFG32AJ-103Z	PP CAPACITOR	0.01MF 5% 100V		R 105	NRSA02J-220X	MG RESISTOR		
C 318	NCB21HK-103X	C CAPACITOR			R 106	NRSA02J-392X	MG RESISTOR		
C 319	QFG32AJ-821Z	PP CAPACITOR	820PF 5% 100V		R 107	NRSA02J-123X	MG RESISTOR		
C 321	NCB21HK-103X	C CAPACITOR			R 108	NRSA02J-222X	MG RESISTOR		
C 322	QFG32AJ-152Z	PP CAPACITOR	1500PF 5% 100V		R 109	NRSA02J-152X	MG RESISTOR		
C 327	QEKJ1CM-476Z	E CAPACITOR	47MF 20% 16V		R 111	NRSA02J-562X	MG RESISTOR		
C 328	NCS21HJ-151X	C CAPACITOR			R 112	NRSA02J-122X	MG RESISTOR		
C 329	NCS21HJ-151X	C CAPACITOR			R 113	NRSA02J-271X	MG RESISTOR		
C 330	NCS21HJ-151X	C CAPACITOR			R 114	NRSA02J-391X	MG RESISTOR		
C 332	NCS21HJ-151X	C CAPACITOR			R 115	NRSA02J-332X	MG RESISTOR		
C 335	NCB21HK-103X	C CAPACITOR			R 117	NRSA02J-332X	MG RESISTOR		
C 336	NCB21HK-103X	C CAPACITOR			R 118	NRSA02J-152X	MG RESISTOR		
C 337	NCB21HK-103X	C CAPACITOR			R 119	NRSA02J-203X	MG RESISTOR		
C 338	NCB21HK-103X	C CAPACITOR			R 120	NRSA02J-102X	MG RESISTOR		
C 339	QEKJ1CM-476Z	E CAPACITOR	47MF 20% 16V		R 121	NRSA02J-122X	MG RESISTOR		
C 340	NCB21HK-103X	C CAPACITOR			R 202	NRSA02J-102X	MG RESISTOR		
C 341	QEKJ1AM-107Z	E CAPACITOR	100MF 20% 10V		R 203	NRSA02J-183X	MG RESISTOR		
C 342	QEKJ1EM-475Z	E CAPACITOR	4.7MF 20% 25V		R 205	NRSA02J-220X	MG RESISTOR		
C 343	QETC1CM-106Z	E CAPACITOR	10MF 20% 16V		R 206	NRSA02J-392X	MG RESISTOR		
C 344	NCB21HK-472X	C CAPACITOR			R 207	NRSA02J-123X	MG RESISTOR		
C 345	NCS21HJ-331X	C CAPACITOR			R 208	NRSA02J-222X	MG RESISTOR		
C 350	QFLM1HJ-102Z	M CAPACITOR	1000PF 5% 50V		R 209	NRSA02J-152X	MG RESISTOR		
CN301	QGF1205F1-06	CONNECTOR			R 211	NRSA02J-562X	MG RESISTOR		
CN302	QGF1205F1-06	CONNECTOR			R 212	NRSA02J-122X	MG RESISTOR		
CN303	QGB2011M1-10	B TO B CONNECTO			R 213	NRSA02J-271X	MG RESISTOR		
CN304	QGB2011M1-10	B TO B CONNECTO			R 214	NRSA02J-391X	MG RESISTOR		
CN305	QGF1205F1-10	CONNECTOR			R 215	NRSA02J-332X	MG RESISTOR		
CN306	QGF1205F1-11	CONNECTOR			R 217	NRSA02J-332X	MG RESISTOR		
D 307	HZM5.1NB2-X	CHIP Z DIODE CM			R 218	NRSA02J-152X	MG RESISTOR		
D 308	HZM5.1NB2-X	CHIP Z DIODE CM			R 219	NRSA02J-203X	MG RESISTOR		
D 309	MA704A-X	S.K.DIODE			R 220	NRSA02J-102X	MG RESISTOR		
IC301	BA3126N	IC			R 221	NRSA02J-122X	MG RESISTOR		
IC302	AN7345K	IC			R 301	NRS181J-221X	MG RESISTOR		
IC303	BU4094BCF-X	IC			R 302	NRS181J-101X	MG RESISTOR		
IC304	BU4094BCF-X	IC			R 304	NRSA02J-393X	MG RESISTOR		
L 202	QQR0779-001Z	INDUCTOR			R 305	NRSA02J-103X	MG RESISTOR		
L 301	QQR0620-001	OSC COIL(BIAS)			R 306	NRSA02J-103X	MG RESISTOR		
L 303	QQL01BK-100Z	INDUCTOR			R 307	NRSA02J-103X	MG RESISTOR		
Q 102	DTC144TKA-X	TRANSISTOR			R 308	NRSA02J-152X	MG RESISTOR		
Q 103	DTC144EKA-X	TRANSISTOR			R 309	NRSA02J-152X	MG RESISTOR		
Q 105	2SC3576-JVC-T	TRANSISTOR			R 310	NRS181J-820X	MG RESISTOR		
Q 202	DTC144TKA-X	TRANSISTOR			R 311	NRS181J-820X	MG RESISTOR		
Q 203	DTC144EKA-X	TRANSISTOR			R 313	NRSA02J-3R3X	MG RESISTOR		
Q 205	2SC3576-JVC-T	TRANSISTOR			R 314	NRSA02J-223X	MG RESISTOR		
Q 302	2SC2001/K/-T	TRANSISTOR			R 315	NRSA02J-100X	MG RESISTOR		
Q 303	2SC2001/K/-T	TRANSISTOR			R 316	NRSA02J-223X	MG RESISTOR		
Q 304	2SC3576-JVC-T	TRANSISTOR			R 317	NRSA02J-100X	MG RESISTOR		
Q 305	2SC3576-JVC-T	TRANSISTOR			R 318	NRSA02J-123X	MG RESISTOR		
Q 306	2SC2412K/RS/-X	CHIP TRANSISTOR			R 319	NRSA02J-152X	MG RESISTOR		
Q 307	2SC2412K/RS/-X	CHIP TRANSISTOR			R 321	NRSA02J-123X	MG RESISTOR		
Q 308	2SC2412K/RS/-X	CHIP TRANSISTOR			R 322	NRSA02J-152X	MG RESISTOR		
Q 309	2SC2412K/RS/-X	CHIP TRANSISTOR			R 327	NRSA02J-474X	MG RESISTOR		
Q 312	2SB562/C/-T	TRANSISTOR			R 328	NRSA02J-222X	MG RESISTOR		
Q 313	2SC2412K/RS/-X	CHIP TRANSISTOR			R 329	NRSA02J-222X	MG RESISTOR		
Q 314	2SB562/C/-T	TRANSISTOR			R 330	NRSA02J-0R0X	MG RESISTOR		
Q 315	2SC2412K/RS/-X	CHIP TRANSISTOR			R 335	NRSA02J-222X	MG RESISTOR		
Q 316	2SA952/LK/-T	TRANSISTOR			R 336	NRSA02J-392X	MG RESISTOR		
Q 317	DTC124EKA-X	TRANSISTOR			R 338	NRSA02J-222X	MG RESISTOR		
Q 321	DTC144EKA-X	TRANSISTOR			R 339	NRSA02J-222X	MG RESISTOR		
Q 322	DTC144EKA-X	TRANSISTOR			R 341	NRSA02J-222X	MG RESISTOR		
Q 323	2SC2412K/RS/-X	CHIP TRANSISTOR			R 343	NRSA02J-0R0X	MG RESISTOR		
R 102	NRSA02J-102X	MG RESISTOR			R 345	NRSA02J-222X	MG RESISTOR		
R 103	NRSA02J-183X	MG RESISTOR			R 346	NRSA02J-0R0X	MG RESISTOR		

■ Electrical parts list (Cassette mechanism switch board) Block No. 08

△	Item	Parts number	Parts name	Remarks	Area
	R 347	NRSA02J-392X	MG RESISTOR		
	R 348	NRSA02J-222X	MG RESISTOR		
	R 350	NRSA02J-472X	MG RESISTOR		
	R 351	NRSA02J-151X	MG RESISTOR		
	R 353	NRSA02J-472X	MG RESISTOR		
	R 354	NRSA02J-151X	MG RESISTOR		
	R 355	NRSA02J-332X	MG RESISTOR		
	R 357	NRSA02J-103X	MG RESISTOR		
	R 358	NRSA02J-222X	MG RESISTOR		
	R 359	NRSA02J-123X	MG RESISTOR		
	R 360	NRSA02J-433X	MG RESISTOR		
	R 361	NRSA02J-183X	MG RESISTOR		
	R 362	NRSA02J-123X	MG RESISTOR		
	R 363	NRSA02J-183X	MG RESISTOR		
	R 364	NRSA02J-433X	MG RESISTOR		
	R 365	NRSA02J-203X	MG RESISTOR		
	R 366	NRSA02J-123X	MG RESISTOR		
	R 367	NRSA02J-102X	MG RESISTOR		
	R 368	NRSA02J-391X	MG RESISTOR		
	R 369	NRSA02J-391X	MG RESISTOR		
	R 371	NRS181J-222X	MG RESISTOR		
	R 374	NRSA02J-912X	MG RESISTOR		
	R 375	NRSA02J-683X	MG RESISTOR		
	R 376	NRS181J-6R8X	MG RESISTOR		
	VR101	QVP0008-503Z	SEMI.V.RESISTOR		
	VR201	QVP0008-503Z	SEMI.V.RESISTOR		
	VR301	QVP0008-103Z	SEMI.V.RESISTOR		
	WIRE	EWR34D-10CS	FLAT WIRE		

■ Electrical parts list (Cassette mechanism switch board) Block No. 09

△	Item	Parts number	Parts name	Remarks	Area
	CN 1	QGB2011L1-10	B TO B CONNECTO		
	D 1	1SR139-400-T2	SI DIODE		
	IC 1	SG-105F3-BB,C	PHOTO SENSER		
	P 1	QNZ0104-001	POST PIN		
	SW 2	QSW0832-001	LEAF SWITCH	TAPE	
	SW 4	QSW0832-001	LEAF SWITCH	70U	
	SW 6	QSW0859-001	DETECT SWITCH		
	CN 1	QGB2011L1-10	B TO B CONNECTO		
	D 1	1SR139-400-T2	SI DIODE		
	IC 1	SG-105F3-BB,C	PHOTO SENSER		
	P 1	QNZ0104-001	POST PIN		
	SW 2	QSW0832-001	LEAF SWITCH	TAPE	
	SW 4	QSW0832-001	LEAF SWITCH	70U	
	SW 6	QSW0859-001	DETECT SWITCH		

■ Electrical parts list (Cassette mechanism control board) Block No. 10

△	Item	Parts number	Parts name	Remarks	Area
	CN 1	QGB2011L1-10	B TO B CONNECTO		
	D 1	1SR139-400-T2	SI DIODE		
	IC 1	SG-105F3-BB,C	PHOTO SENSER		
	P 1	QNZ0104-001	POST PIN		
	SW 1	QSW0832-001	LEAF SWITCH	R.REC	
	SW 2	QSW0832-001	LEAF SWITCH	TAPE	
	SW 4	QSW0832-001	LEAF SWITCH	70U	
	SW 5	QSW0832-001	LEAF SWITCH	F.REC	
	SW 6	QSW0859-001	DETECT SWITCH		
	CN 1	QGB2011L1-10	B TO B CONNECTO		
	D 1	1SR139-400-T2	SI DIODE		
	IC 1	SG-105F3-BB,C	PHOTO SENSER		
	P 1	QNZ0104-001	POST PIN		
	SW 1	QSW0832-001	LEAF SWITCH	R.REC	
	SW 2	QSW0832-001	LEAF SWITCH	TAPE	
	SW 4	QSW0832-001	LEAF SWITCH	70U	
	SW 5	QSW0832-001	LEAF SWITCH	F.REC	
	SW 6	QSW0859-001	DETECT SWITCH		

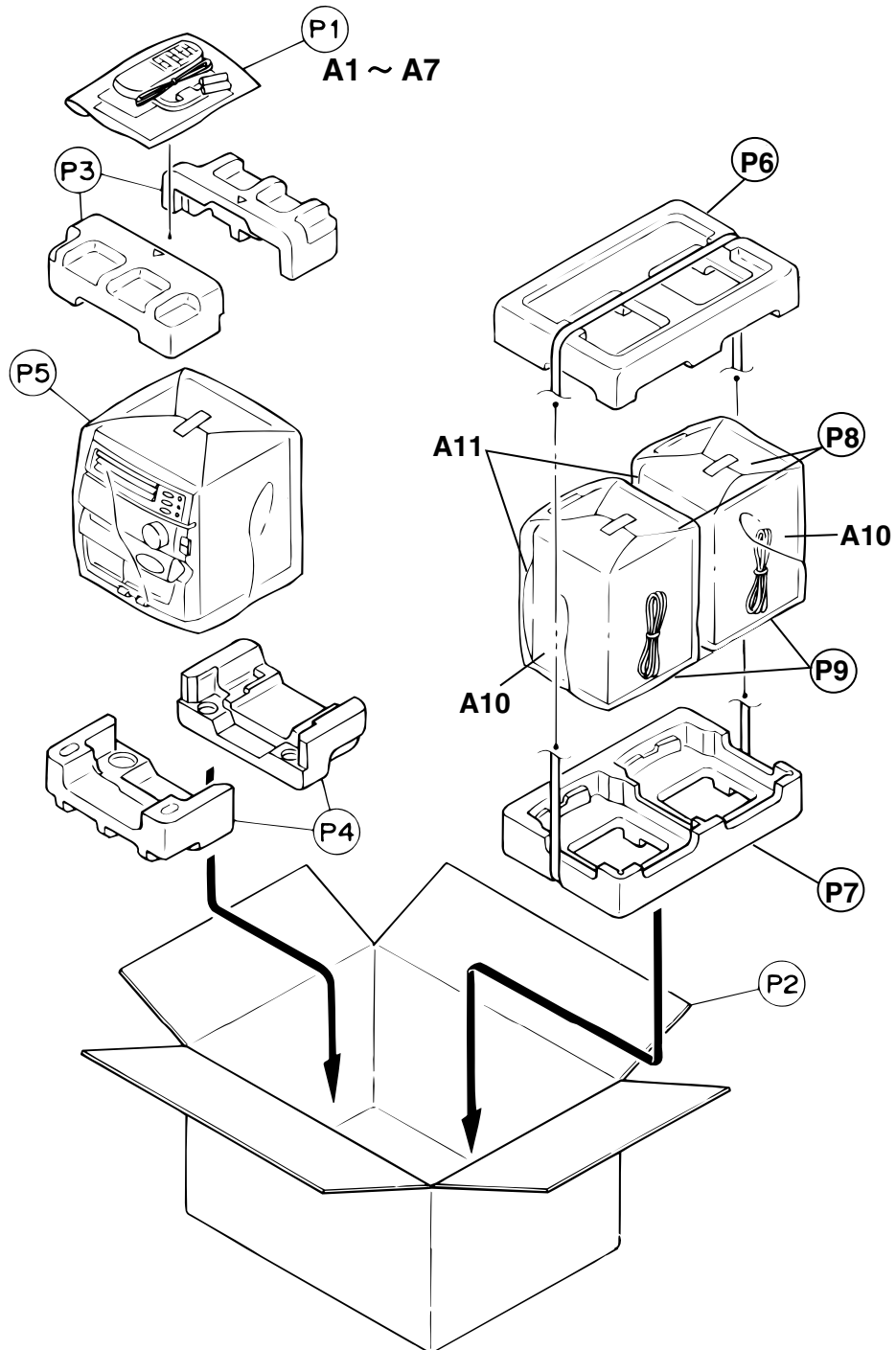
Packing materials and accessories parts list

Block No.

M	5	M	M
---	---	---	---

Block No.

M	6	M	M
---	---	---	---



■ Parts list(Packing)

Block No. M5MM

△	Item	Parts number	Parts name	Q'ty	Description	Area
	P 1	QPC02503515P	POLY BAG	1		
	P 2	GV20151-001A	CARTON ASSY	1	M.CART (K.OK)	
	P 3	GV10005-001B	CUSHION UPPER	1	FOR MASTER CART	
	P 4	GV10006-001A	CUSHION BOTTOM	1	FOR MASTER CART	
	P 5	QPC06506515P	POLY BAG	1		
	P 6	720-TPD402-00	POLY FOAM UPPER	1	FOR SPEAKER	
	P 7	720-BPD402-00	POLY FOAMBOTTOM	1	FOR SPEAKER	
	P 8	715-250031-00	MIRAMAT SHEET	2	FOR SPEAKER	
	P 9	700-120034-30	POLY BAG	2	FOR SPEAKER	

■ Parts list (Accessories)

Block No. M6MM

△	Item	Parts number	Parts name	Q'ty	Description	Area
	A 1	GVT0006-001B	INST.BOOK	1	ENG SPA POR CHI ARA	
	A 2	QAL0014-001	AM LOOP ANT	1		
	A 3	EWP201-011	B. IN ANT	1		
	A 4	RM-SEV507TU	REMOCON	1		
	A 5	-----	BATTERY	2		
	A 6	QAM0216-001	SIGNAL CORD	1		
△	A 7	QAM0112-001	AC PLUG ADAPTER	1		
	A 10	MXJ282VK-SPBOX	SPEAKER BOX	2		
	A 11	201-00282V-10	SPEAKER NET	2	WHITE CLOTH	



VICTOR COMPANY OF JAPAN, LIMITED

AUDIO & COMMUNICATION BUSINESS DIVISION

PERSONAL & MOBILE NETWORK BUSINESS UNIT. 10-1,1chome,Ohwatari-machi,Maebashi-city,371-8543,Japan